

CT 100



CT 100

Bajaj Auto Limited
Akurdi Pune 411 035 India
Tel +91 20 27472851
Fax +91 20 27407385
www.bajajauto.com
CIN L65993PN2007PLC130076

Spare Parts Catalogue



All information contained in this manual is based on the latest product information at the time of publication. Bajaj Auto Limited accepts no liability for any inaccuracies or omissions in this publication, although every possible care has been taken to make it as complete and accurate as possible. All procedures and specifications subject to change without prior notice. The right is reserved to make such changes at any time without prior notice and without incurring an obligation to make such changes to product manufactured previously. Contact your authorized Bajaj Dealer for the latest information on product improvements incorporated after this manual was issued.

DOC. NO.: 71112164

REV. 00, FEB 15

Copy rights : All rights reserved. No part of this publication may be reproduced, stored in a retrieval system, Or transmitted in any form or by any means, electronic mechanical photocopying, recording or otherwise, without the prior written permission of Bajaj Auto LTD.

We have pleasure in presenting the Spare Parts Catalogue for 'CT 100' Motorcycle. This catalogue has been specially designed to assist you in selecting the correct parts for procurement to maintain 100% availability.

The Bajaj spares are subjected to the stringent quality control standards to ensure longer life of the vehicle. It is therefore necessary that only the Genuine Bajaj Spares are used.

In a continual effort to improve Performance and Efficiency of the vehicles, Specifications, Diagrams, Illustrations and Part Numbers can change without notice. Consequently, the description in this Spare Parts Catalogue cannot therefore be final and binding on us.

The modifications / alterations which are carried out after the issue of this catalogue, will be conveyed to you through our Service Circulars. You are requested to make necessary corrections in the Parts Catalogue as per the circulars so as to keep your catalogue up-to-date. This will ensure the appropriate and speedy delivery of the Spare Parts as the order placed will bear the latest part numbers.

In case, if you need any technical assistance contact the concerned Regional Office or write to us on the following address :

Bajaj Auto Limited

Service Department

Akurdi, Pune 411 035 India

Phone : 020-27406557

Fax : 020-27407385

1. How to Read the Catalogue : Open the catalogue and from the pictorial index locate the group in which the part you want to find is present. Turn over to the concerned page number (as given by pictorial index). Now find out the figure of the part you wish to order. Write down the part number against that particular figure number from the text.

In case, if you have the part number and you need the other details, the part index can be used. The part index (at the end of the catalogue) will give you the figure and page number of the part you wish to order.

2. How to Order Spare Parts : The part number and the description of the part required should be invariably mentioned in the order as per the catalogue text.

The latest part number as conveyed through our service circulars should only appear on the order. In case of ordering painted components, colour shade of the components should be mentioned.

The quantity shown against the part number is the quantity per vehicle for that group so that particular quantity should be multiplied by the number of sets required.

3. Part Number System : We have used 8 digit system for part numbers. The model or hardware item is indicated by first two digits or alphanumeric, the next two or four digits indicate main group and the last four or two digits indicate serial number in main group or serial number or subgroup of fastener respectively. Thus the part numbers will be indicated by 2-2-4 or 2-4-2 digit system. Understanding this system will enable you to identify the spare parts easily.

4. Abbreviations : The following abbreviations are used in this catalogue.

Assly	Assembly	V	Volts
N.I.	Not illustrated	W	Watts
C'case	Crankcase	Accl.	Accelerator
Cyl	Cylinder	Comp.	Complete
O/s	Over size	Fr.	Front
RR	Rear	Std.	Standard
L	Length	A/t.	Alternate
R.H.	Right hand	L.H.	Left hand
Hex.	Hexagonal	AR	As required

Plate No.	Description	Page No.
1	Cylinder Head	2
2	Valve	3
3	Camshaft / Tensioner	4
4	Cylinder and Piston	8
5	Crankshaft	10
6	Transmission	12
7	Change Drum / Shift Fork	14
8	Gear Change Mechanism	16
9	Engine Assly / Crankcase RH	18
10	Crankcase LH	20
11	Oil Pump	22
12	Kick Starter Mechanism	24
13	Cover Clutch	26
14	Cover Magneto	28
15	Clutch Assly	30
16	Carburettor Assembly	32
17	Air Cleaner Complete	34
18	Silencer Assly	36
19	Magneto, C.D.I. & H.T. Coil	38
20	Seat Assly / Seat Lock	40
21	Engine Mountings	42
22	Frame and Frame Fitting	44
23	Swing Arm/Rear Shock Absorber	46
24	Foot Rest - Rider / Pillion	48
25	Mudguard- Front & Rear	50
26	Stand Assembly	52
27	Tyre / Tube / Rim - (Alloy Wheels)	54
28	Tyre / Tube / Rim - (Spoke Wheels)	56
29	Front Hub - (Alloy Wheels)	58
30	Front Hub - (Spoke Wheels)	60
31	Rear Hub - (Alloy Wheels)	62

Plate No.	Description	Page No.
32	Rear Hub - (Spoke Wheels)	64
33	Rear Brake Pedal	66
34	Handle Bar Assly	68
35	Front Fork	70
36	Petrol Tank, Cap Tank & Gauge Fuel	72
37	Fittings - Side Cover & Cover Seat	74
38	Meter Assly	76
39	Control Cables	78
40	Chain Case	80
41	Head Lamp & Fairing	82
42	Indicator Light Assly	84
43	Tail Lamp Assly / Front No. Plate	86
44	Electrical Equipments	88
45	Tool Kit	90
46	Accessories / Grab Handle	92
47	Painted Parts & Decals	94-96
	Kits List	97-101
	Part Index	103-112

PLATE NO. : 1
CYLINDER HEAD

PAGE NO.
2

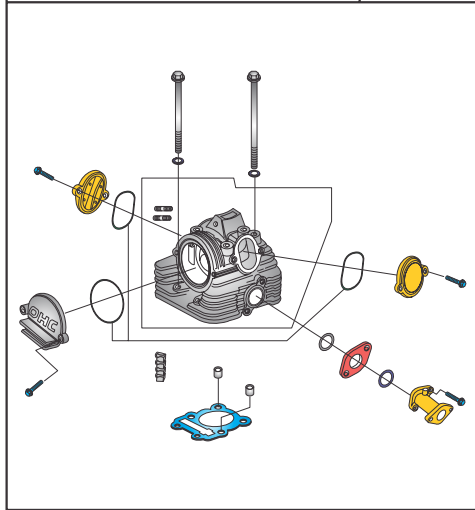


PLATE NO. : 2
VALVE

PAGE NO.
4

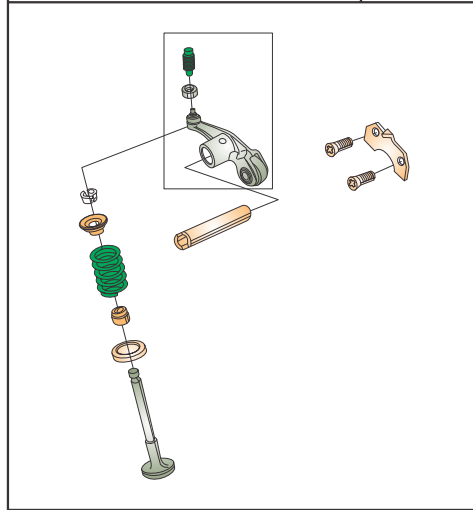


PLATE NO. : 3
CAMSHAFT / TENSIONER

PAGE NO.
6

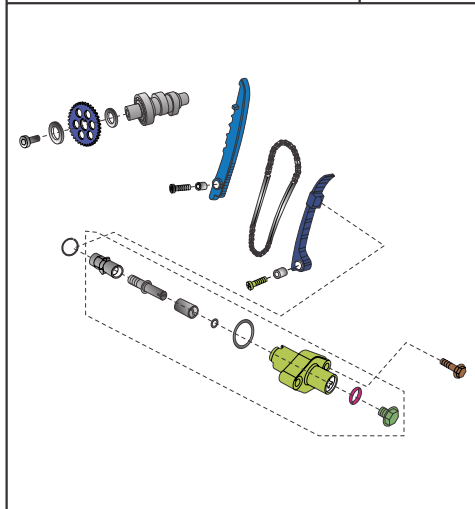


PLATE NO. : 4
CYLINDER & PISTON

PAGE NO.
8

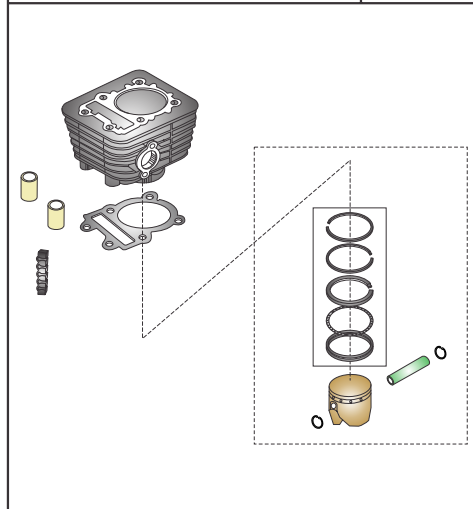


PLATE NO. : 5
CRANKSHAFT

PAGE NO.
10

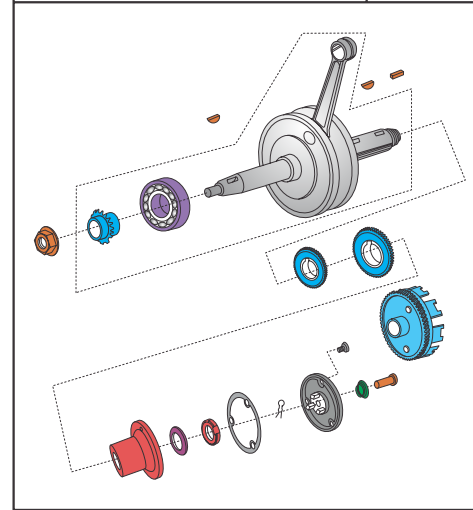


PLATE NO. : 6
TRANSMISSION

PAGE NO.
12

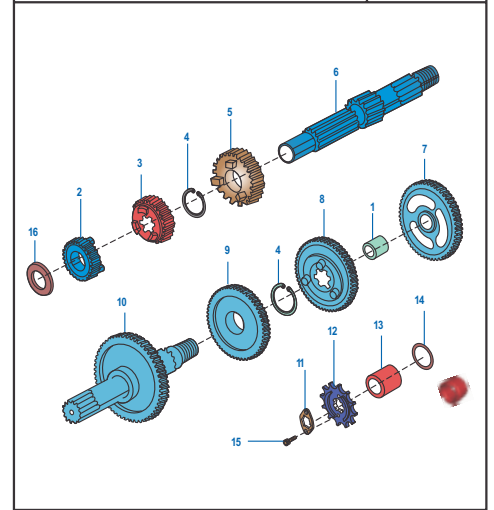


PLATE NO. : 7
CHANGE DRUM / SHIFT FORK

PAGE NO.
14

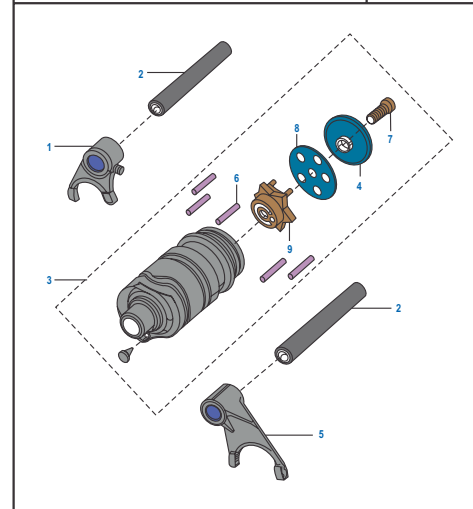


PLATE NO. : 8
GEAR CHANGE MECHANISM

PAGE NO.
16

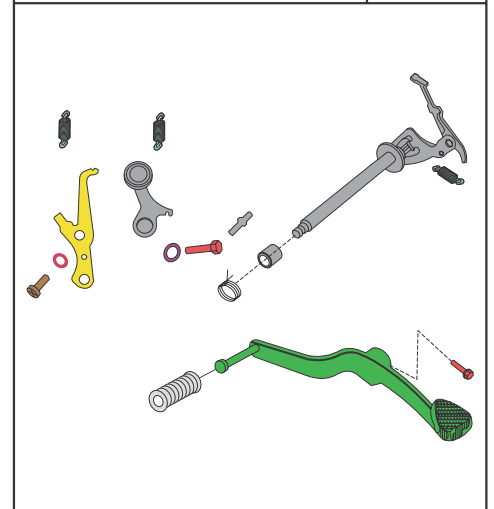


PLATE NO. : 9
ENGINE ASSLY & CRANKCASE RH

PAGE NO.
18

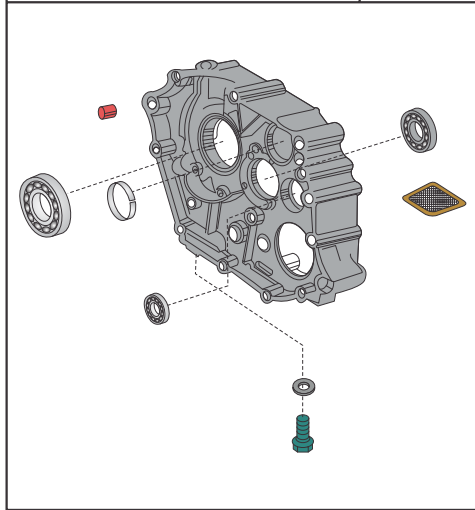


PLATE NO. : 10
CRANKCASE LH

PAGE NO.
20

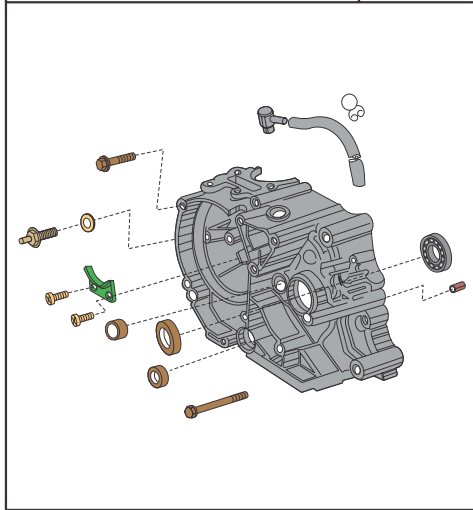


PLATE NO. : 11
OIL PUMP

PAGE NO.
22

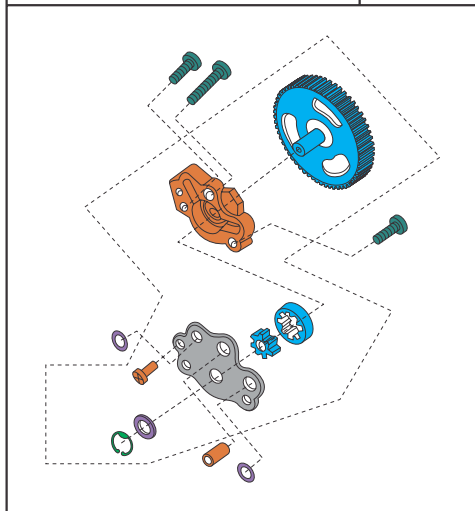


PLATE NO. : 12
KICK STARTER MECHANISM

PAGE NO.
24

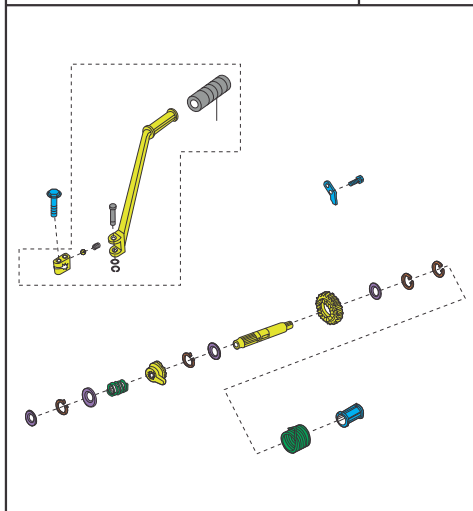


PLATE NO. : 13
COVER CLUTCH

PAGE NO.
26

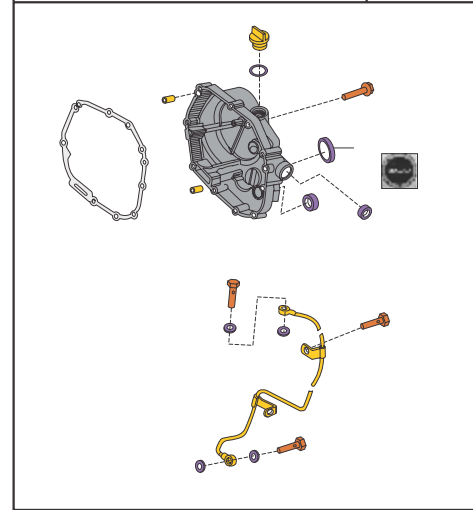


PLATE NO. : 14
COVER MAGNETO

PAGE NO.
28

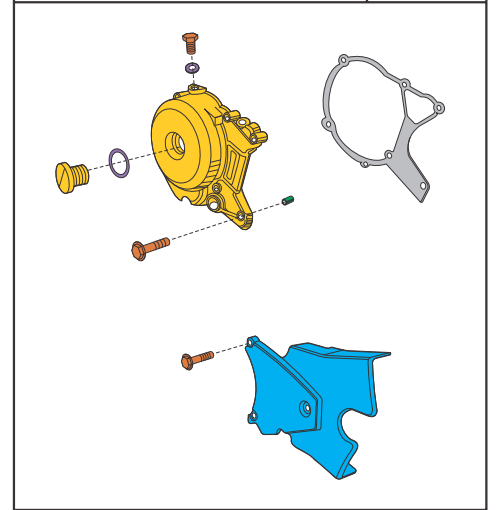


PLATE NO. : 15
CLUTCH ASSLY

PAGE NO.
30

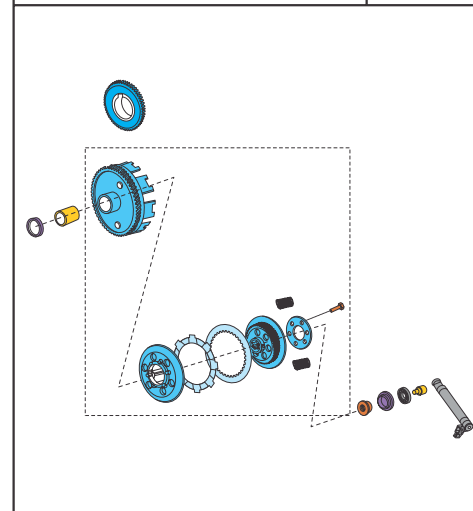
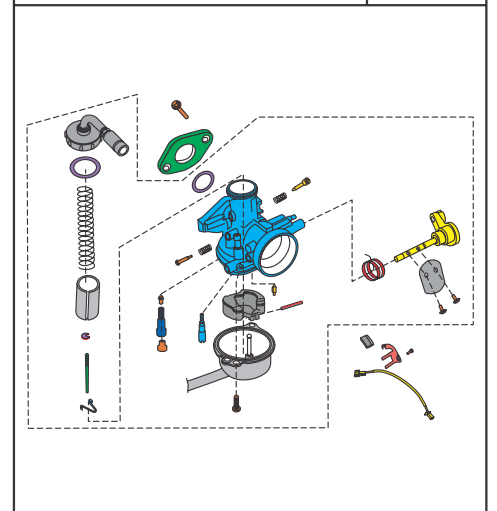
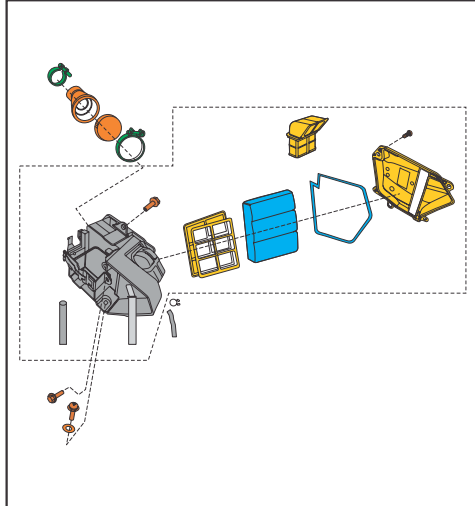
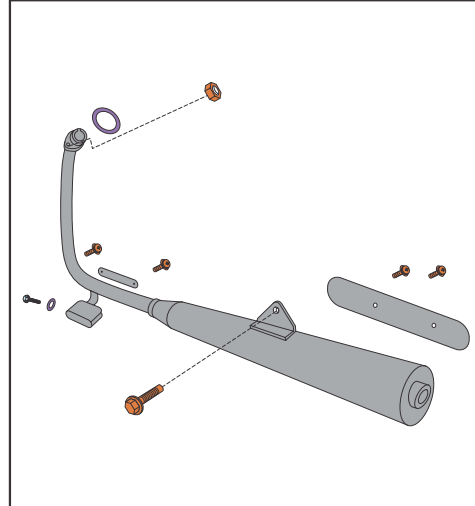


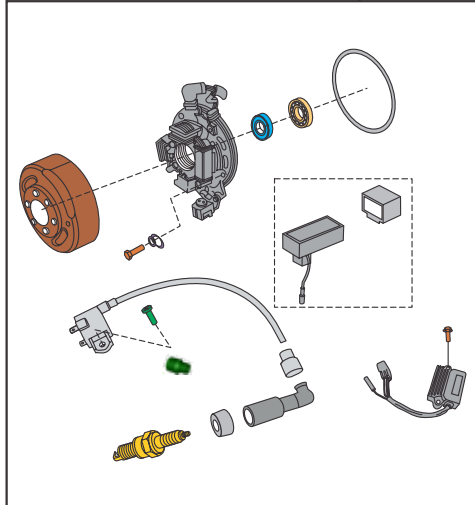
PLATE NO. : 16
CARBURETTOR ASSLY

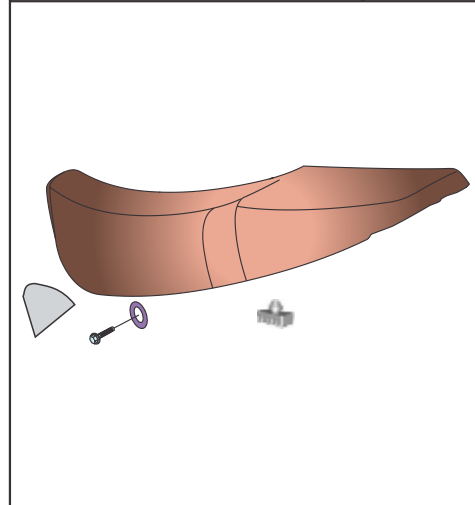
PAGE NO.
32

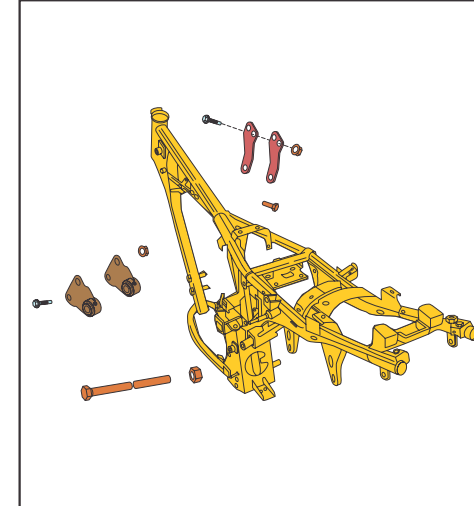


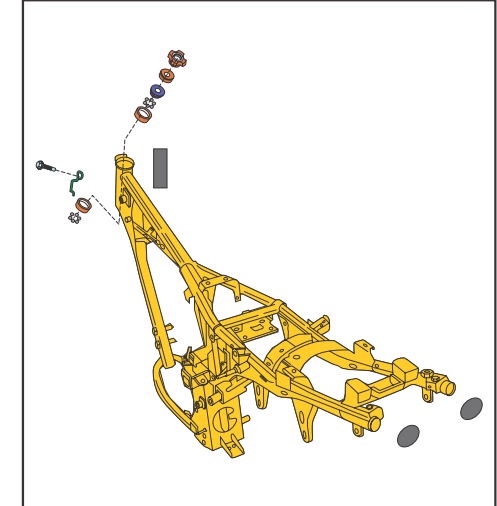
<p>PLATE NO. : 17 AIR CLEANER COMPLETE</p>	<p>PAGE NO. 34</p>
	

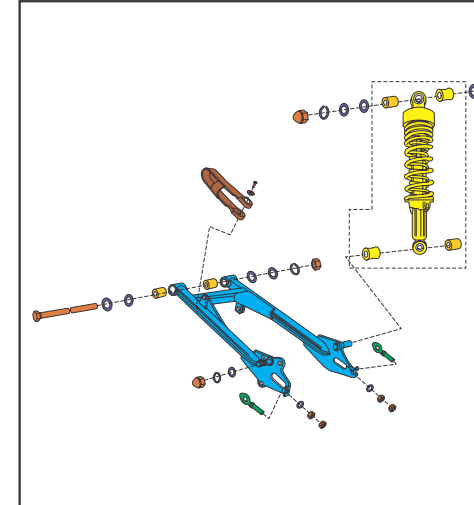
<p>PLATE NO. : 18 SILENCER ASSLY</p>	<p>PAGE NO. 36</p>
	

<p>PLATE NO. : 19 MAGNETO, C.D.I. & H.T. COIL</p>	<p>PAGE NO. 38</p>
	

<p>PLATE NO. : 20 SEAT ASSLY & MOUNTING</p>	<p>PAGE NO. 40</p>
	

<p>PLATE NO. : 21 ENGINE MOUNTINGS</p>	<p>PAGE NO. 42</p>
	

<p>PLATE NO. : 22 FRAME & FRAME FITTINGS</p>	<p>PAGE NO. 44</p>
	

<p>PLATE NO. : 23 SWING ARM/REAR SHOCK ABSORBER</p>	<p>PAGE NO. 46</p>
	

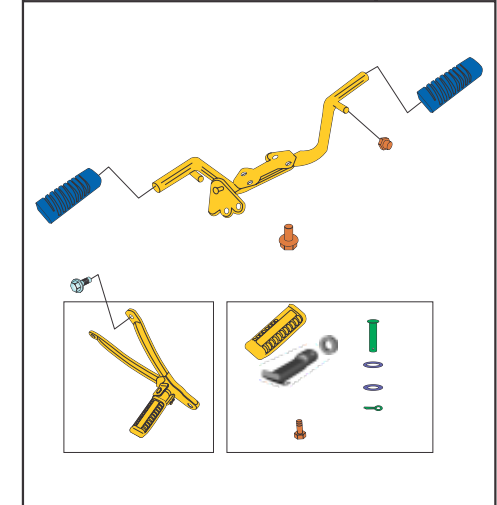
<p>PLATE NO. : 24 FOOT REST - RIDER / PILLION</p>	<p>PAGE NO. 48</p>
	

PLATE NO. : 25
MUDGUARD- FRONT & REAR

PAGE NO.
50

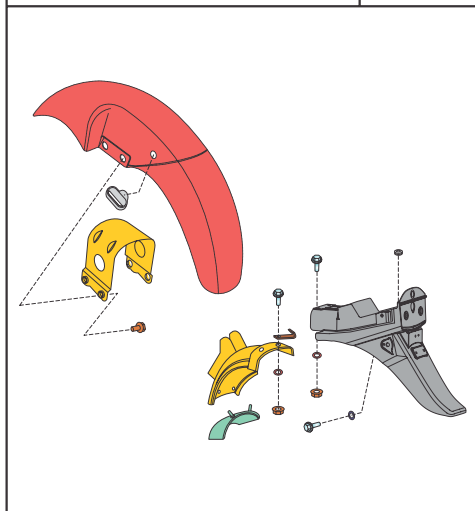


PLATE NO. : 26
STAND ASSEMBLY

PAGE NO.
52

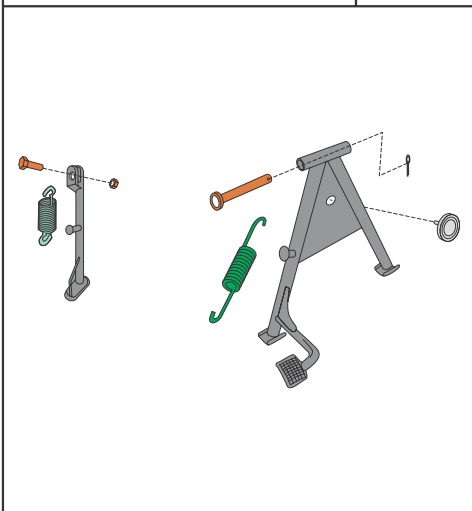


PLATE NO. : 27
TYRE/ TUBE / RIM / (ALLOY WHEELS)

PAGE NO.
54

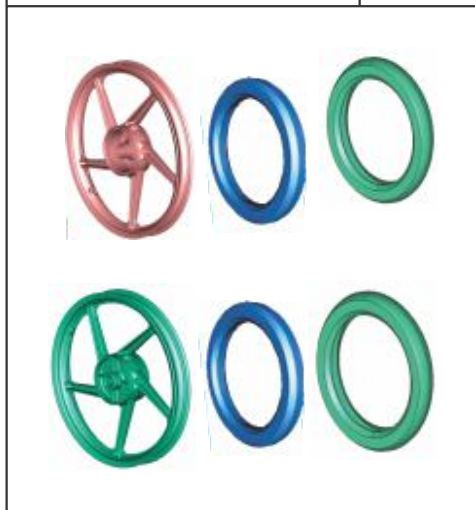


PLATE NO. : 28
TYRE/ TUBE / RIM - (SPOKE WHEELS)

PAGE NO.
56

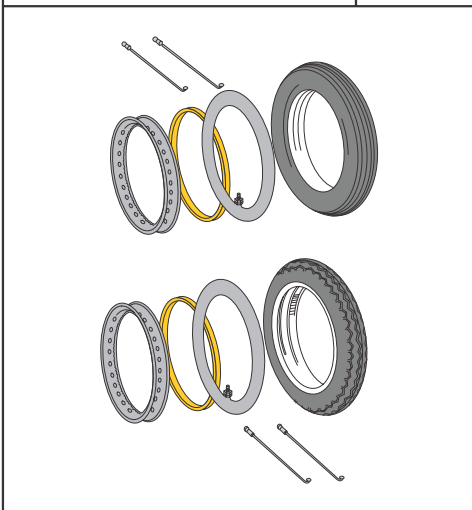


PLATE NO. : 29
FRONT HUB - (ALLOY WHEELS)

PAGE NO.
58



PLATE NO. : 30
FRONT HUB - (SPOKE WHEELS)

PAGE NO.
60

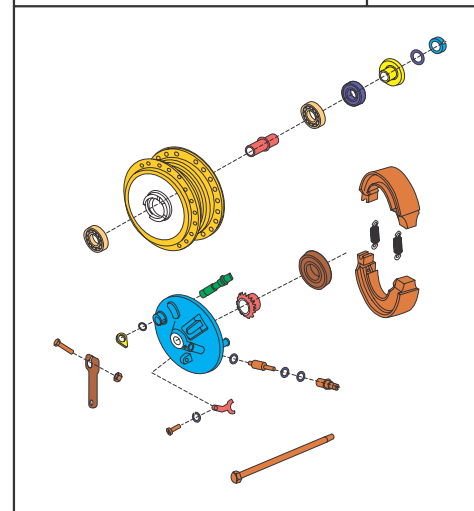


PLATE NO. : 31
REAR HUB - (ALLOY WHEELS)

PAGE NO.
62



PLATE NO. : 32
REAR HUB - (SPOKE WHEELS)

PAGE NO.
64

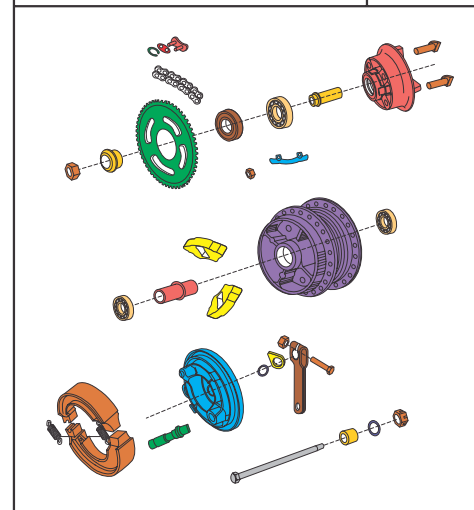


PLATE NO. : 33
REAR BRAKE PEDAL

PAGE NO.
66

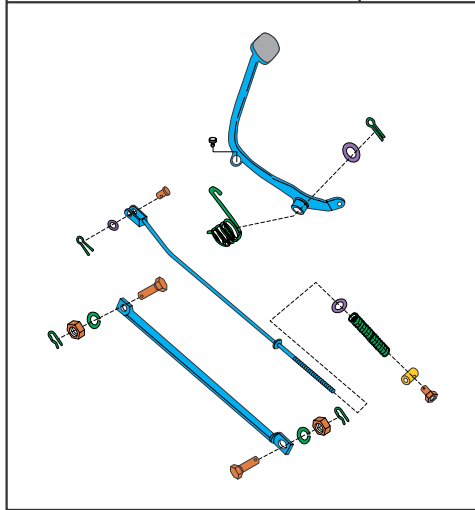


PLATE NO. : 34
HANDLE BAR ASSLY

PAGE NO.
68

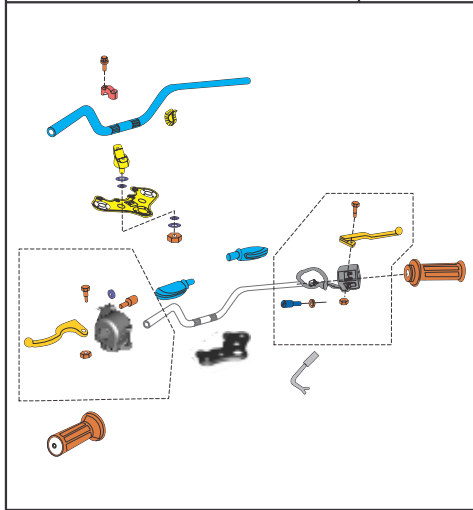


PLATE NO. : 35
FRONT FORK

PAGE NO.
70

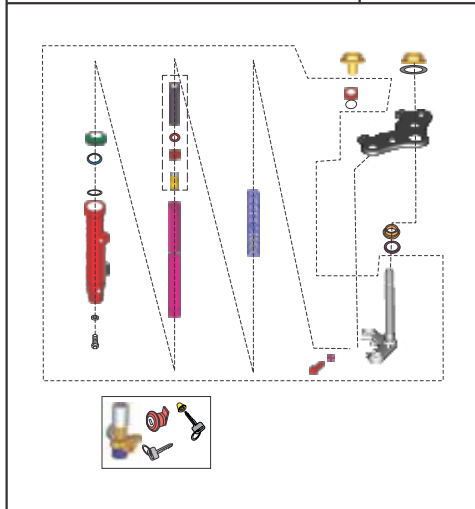


PLATE NO. : 36
PETROL TANK, CAP TANK &
GAUGE FUEL

PAGE NO.
72

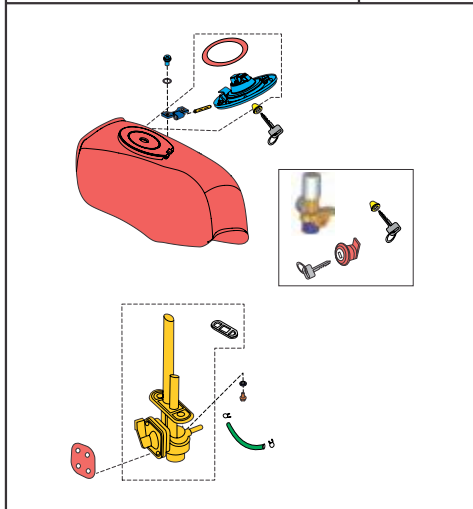


PLATE NO. : 37
FITTINGS - PETROL TANK, SIDE
COVERS & SEAT COWL

PAGE NO.
74

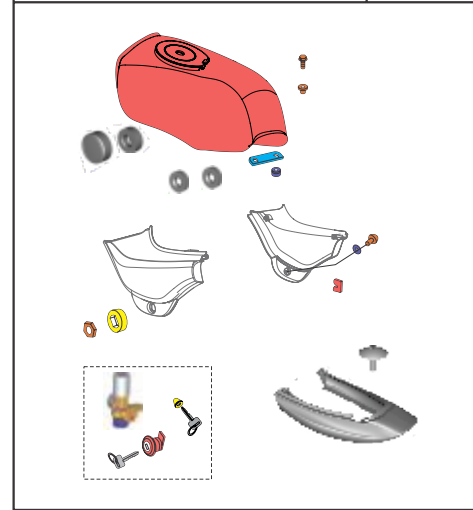


PLATE NO. : 38
METER ASSEMBLY

PAGE NO.
76

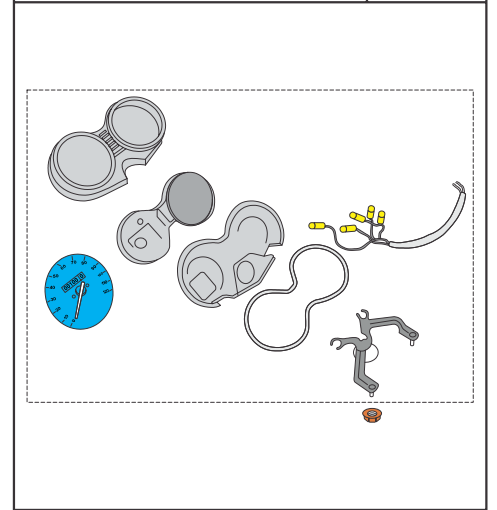


PLATE NO. : 39
CONTROL CABLES

PAGE NO.
78

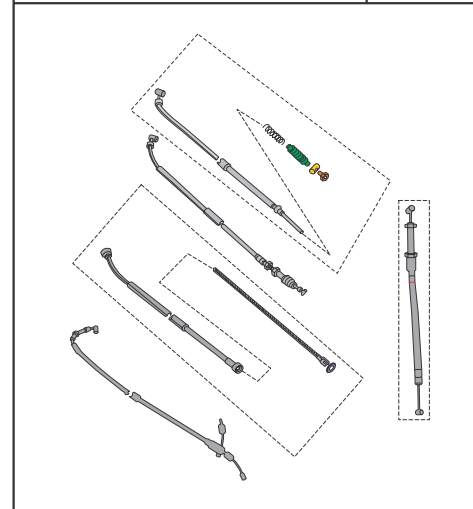
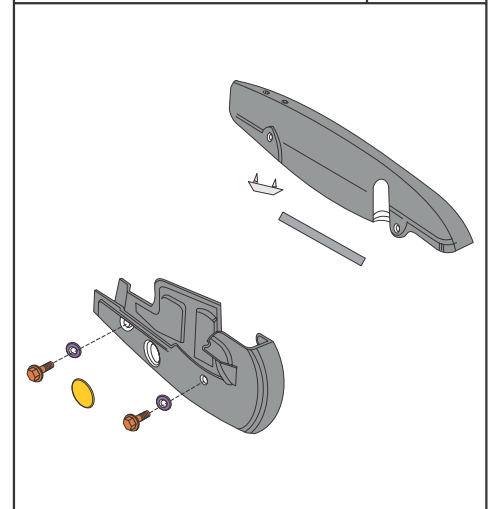
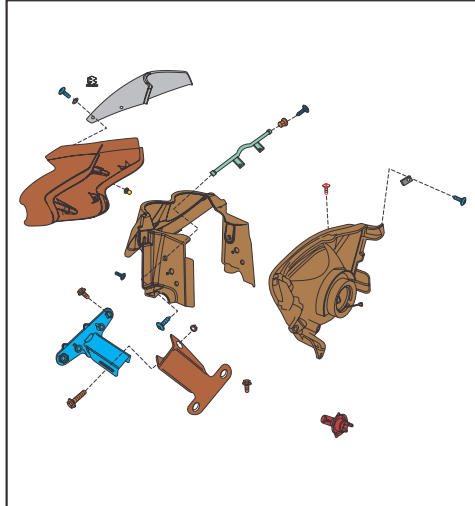
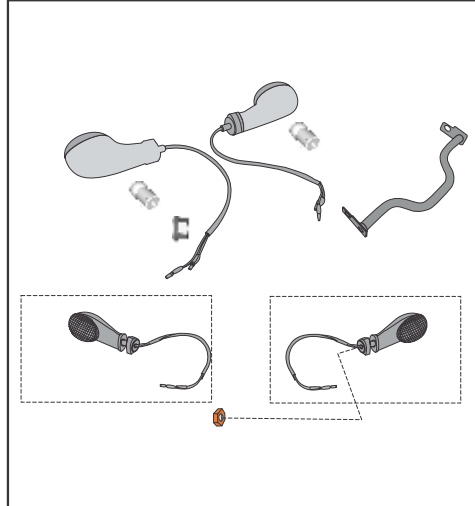


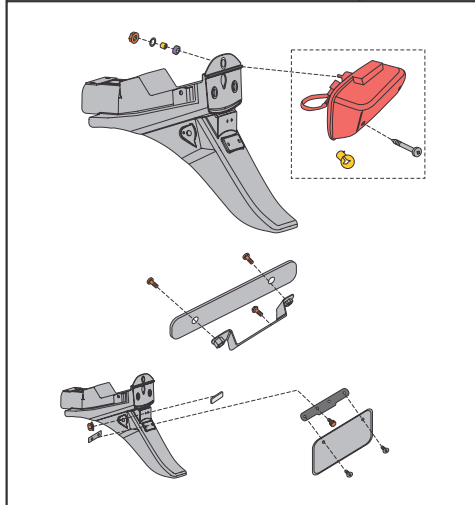
PLATE NO. : 40
CHAIN CASE

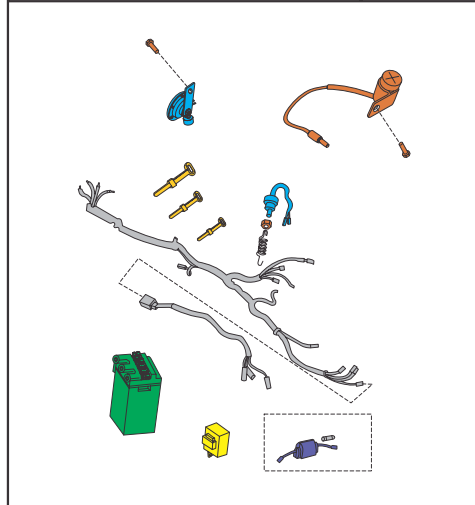
PAGE NO.
80



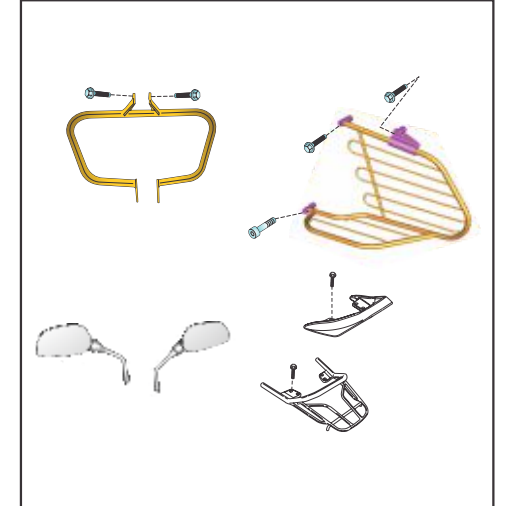
<p>PLATE NO. : 41 HEAD LAMP & FAIRING</p>	<p>PAGE NO. 82</p>
	

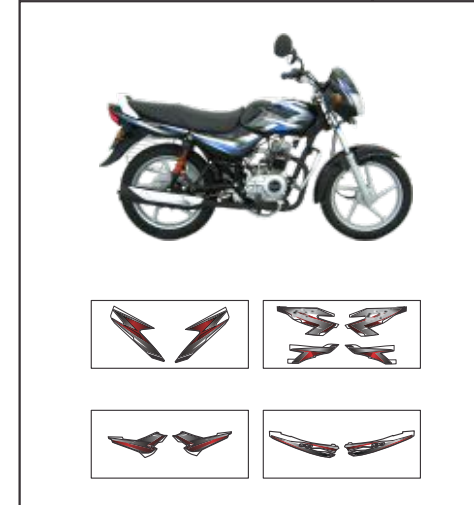
<p>PLATE NO. : 42 INDICATOR LIGHT ASSEMBLY</p>	<p>PAGE NO. 84</p>
	

<p>PLATE NO. : 43 TAIL LAMP ASSLY / NUMBER PLATE</p>	<p>PAGE NO. 86</p>
	

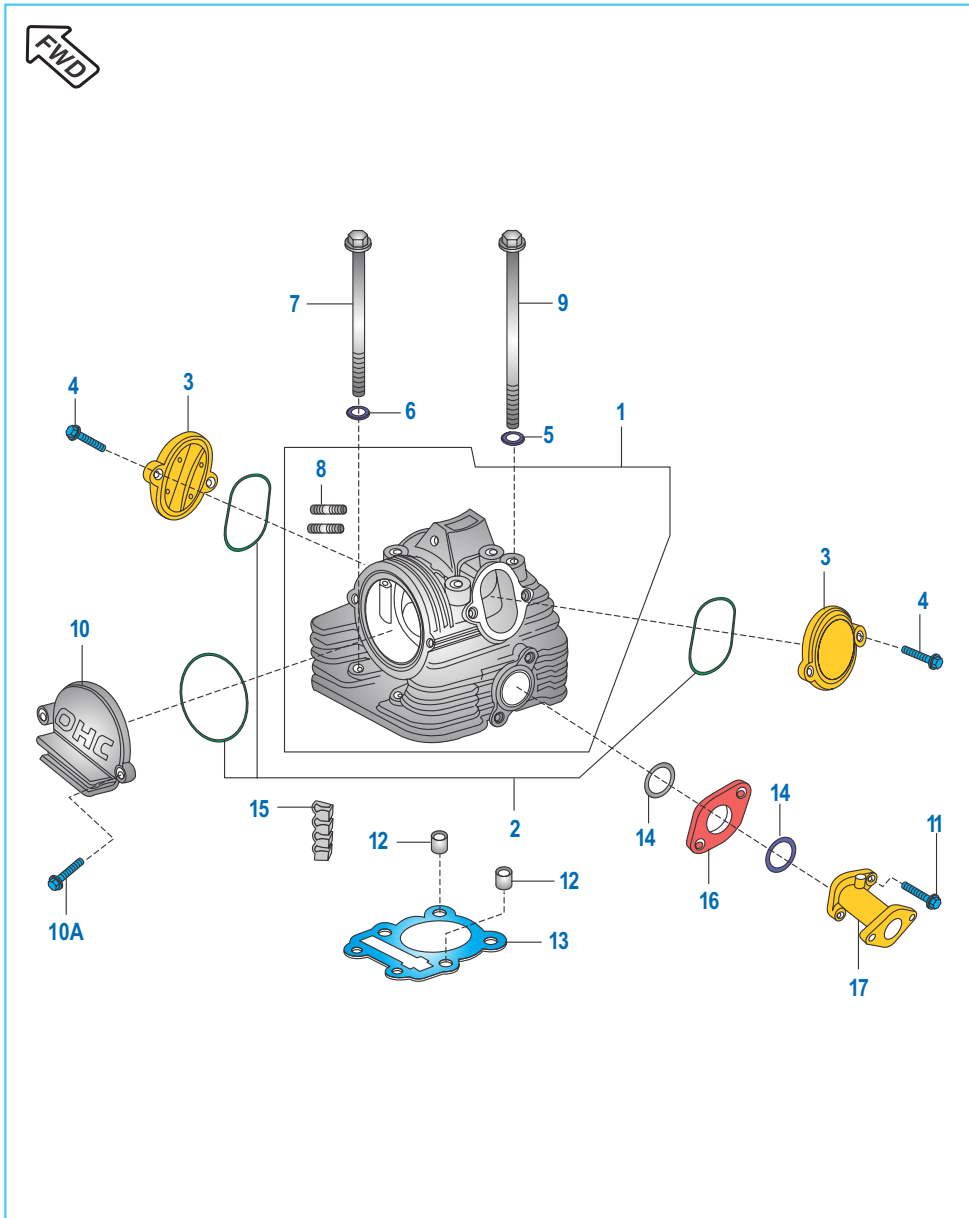
<p>PLATE NO. : 44 ELECTRICAL EQUIPMENTS</p>	<p>PAGE NO. 88</p>
	

<p>PLATE NO. : 45 TOOL KIT</p>	<p>PAGE NO. 90</p>
	

<p>PLATE NO. : 46 ACCESSORIES / GRAB HANDLE</p>	<p>PAGE NO. 92</p>
	

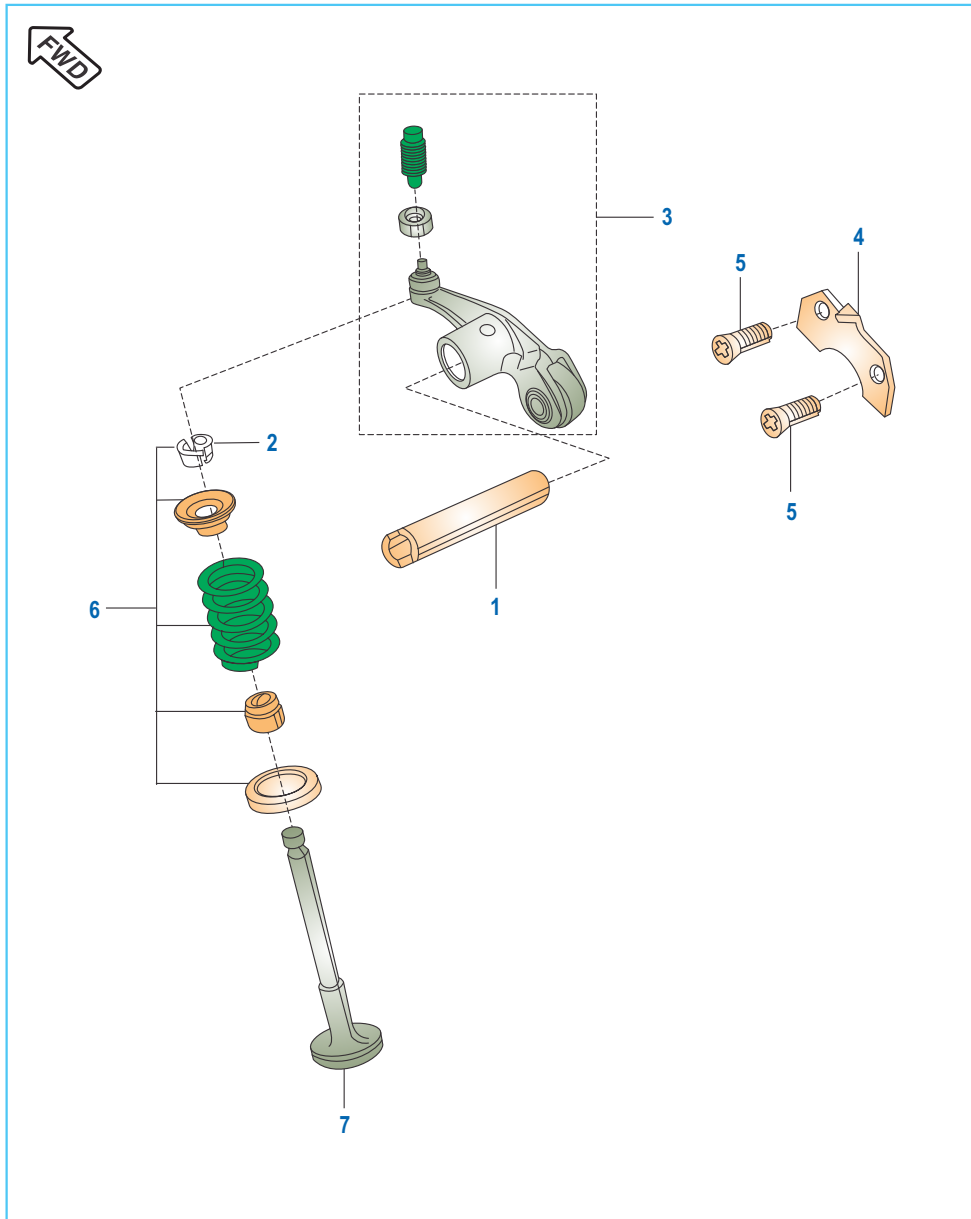
<p>PLATE NO. : 47 PAINTED PARTS & DECALS</p>	<p>PAGE NO. 94-96</p>
	

Cylinder Head



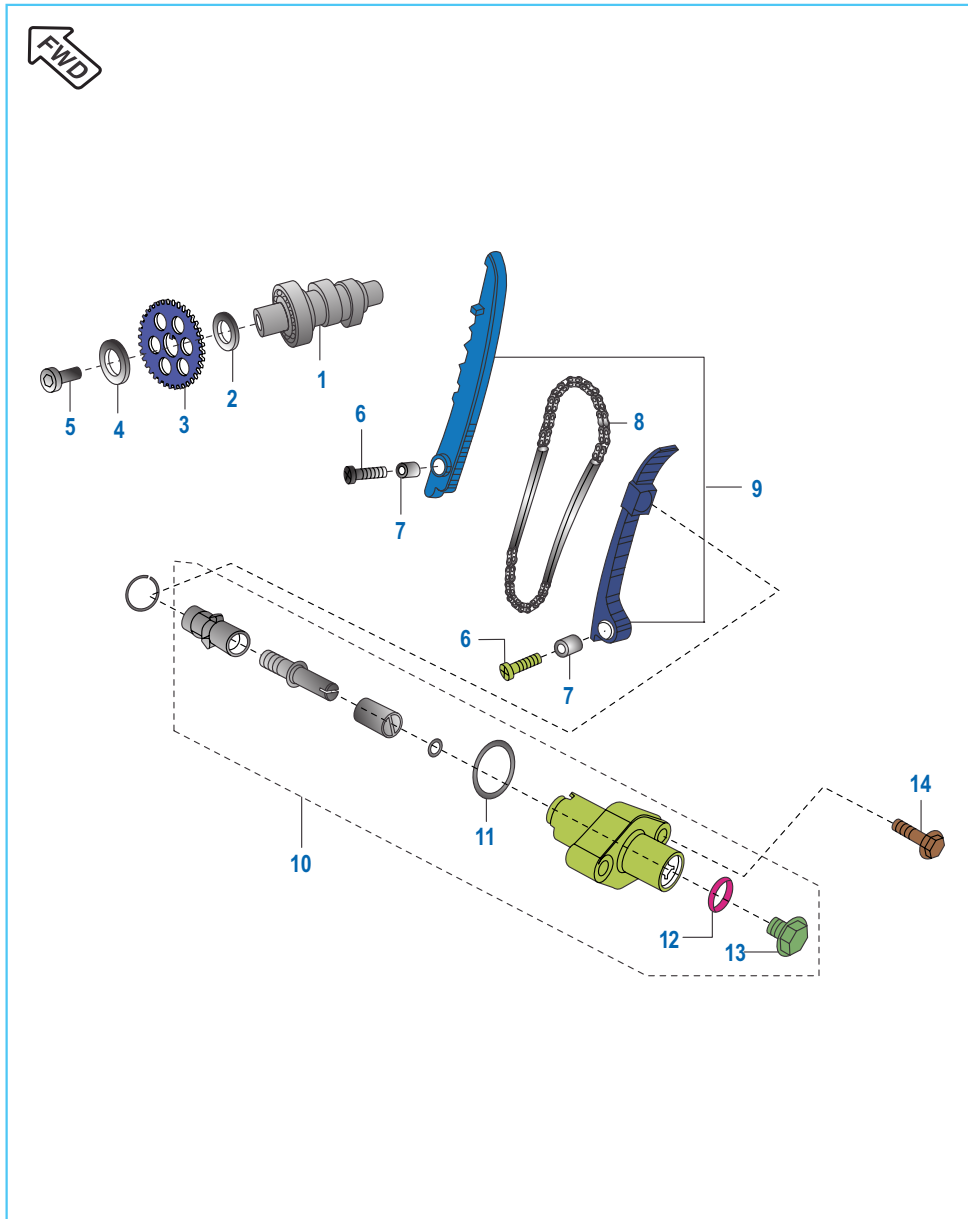
No.	Part No.	Description	Qty.	Remarks
1	DU 1012 08	Head Comp. Cylinder	1	Refer Page No. 98
2	36 DU10 01	O Ring Kit	1	
3	31 1010 06	Cover Tappet	2	Tappet Cover
4	39 1673 04	Flanged bolt	4	
5	DD 1015 21	Plain washer	4	
6	59 1100 04	Washer	2	
7	DD 1013 47	Bolt	2	
8	DD 1013 50	Stud	2	
9	DD 1013 49	Bolt	4	
10	31 1010 07	Cover (OHC)	1	
10A	39 1673 04	Bolt Flanged	2	
11	DU 1012 28	Bolt	2	
12	39 1000 06	Hollow Dowel Pin	2	
13	DD 1013 43	Gasket head	1	
14	39 1017 21	O Ring	2	
15	DD 1014 81	Damper Cylinder Head	4	
16	31 1011 75	Insulator (Head Side)	1	
17	DU 1010 58	Pipe Intake	1	

Valve



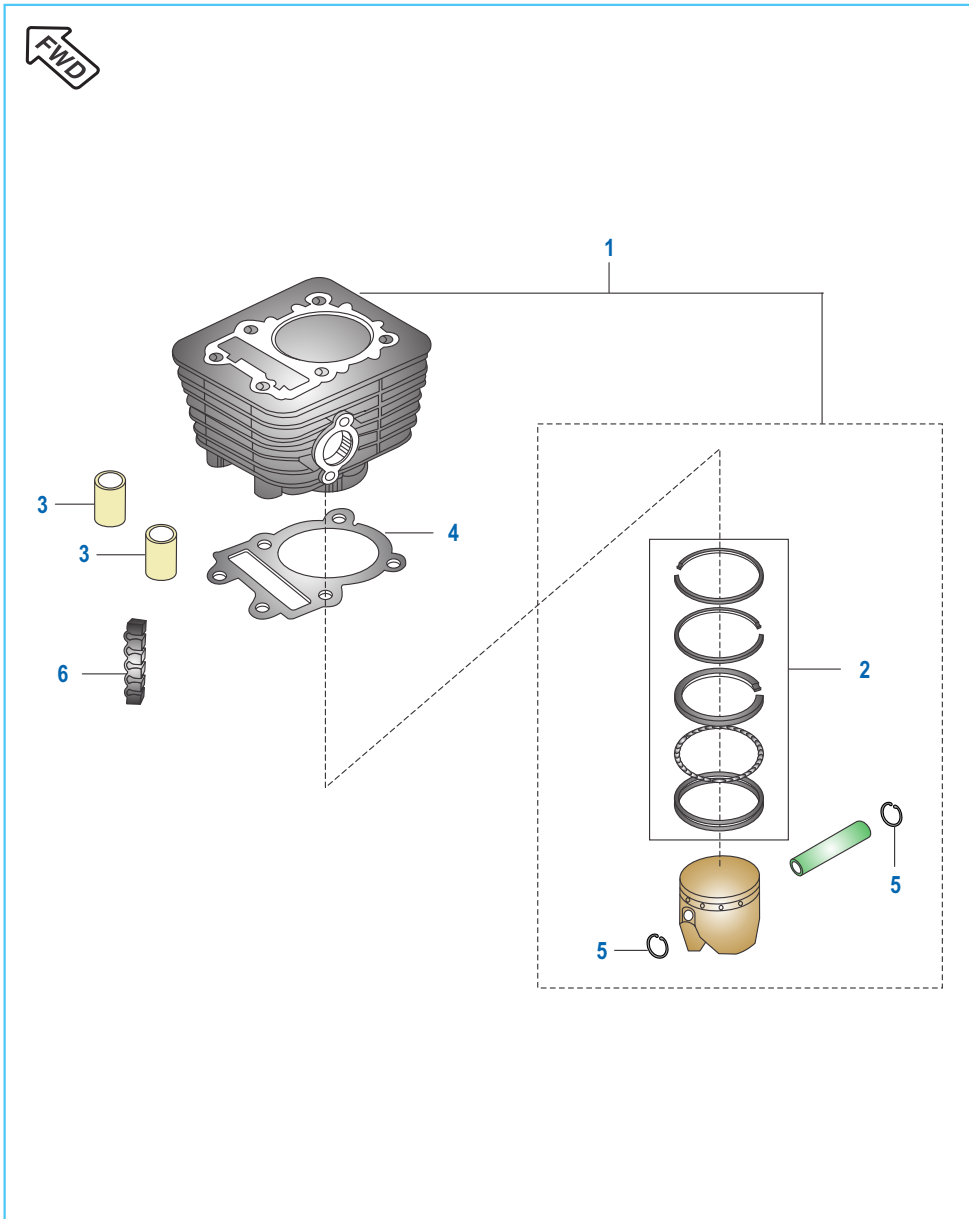
No.	Part No.	Description	Qty.	Remarks
1	DU 1011 91	Shaft Rocker	2	
2	31 1010 19	Collet	4	
3	DU 1011 90	Rocker arm assembly	2	
4	31 1011 04	Stopper	1	
5	39 0702 01	Screw Pan Cros	2	
6	36 DU40 51	Kit Valve Repair	1	Refer Page No. 98
7	36 3110 28	Valve Kit	1	Refer Page No. 99

Camshaft / Tensioner



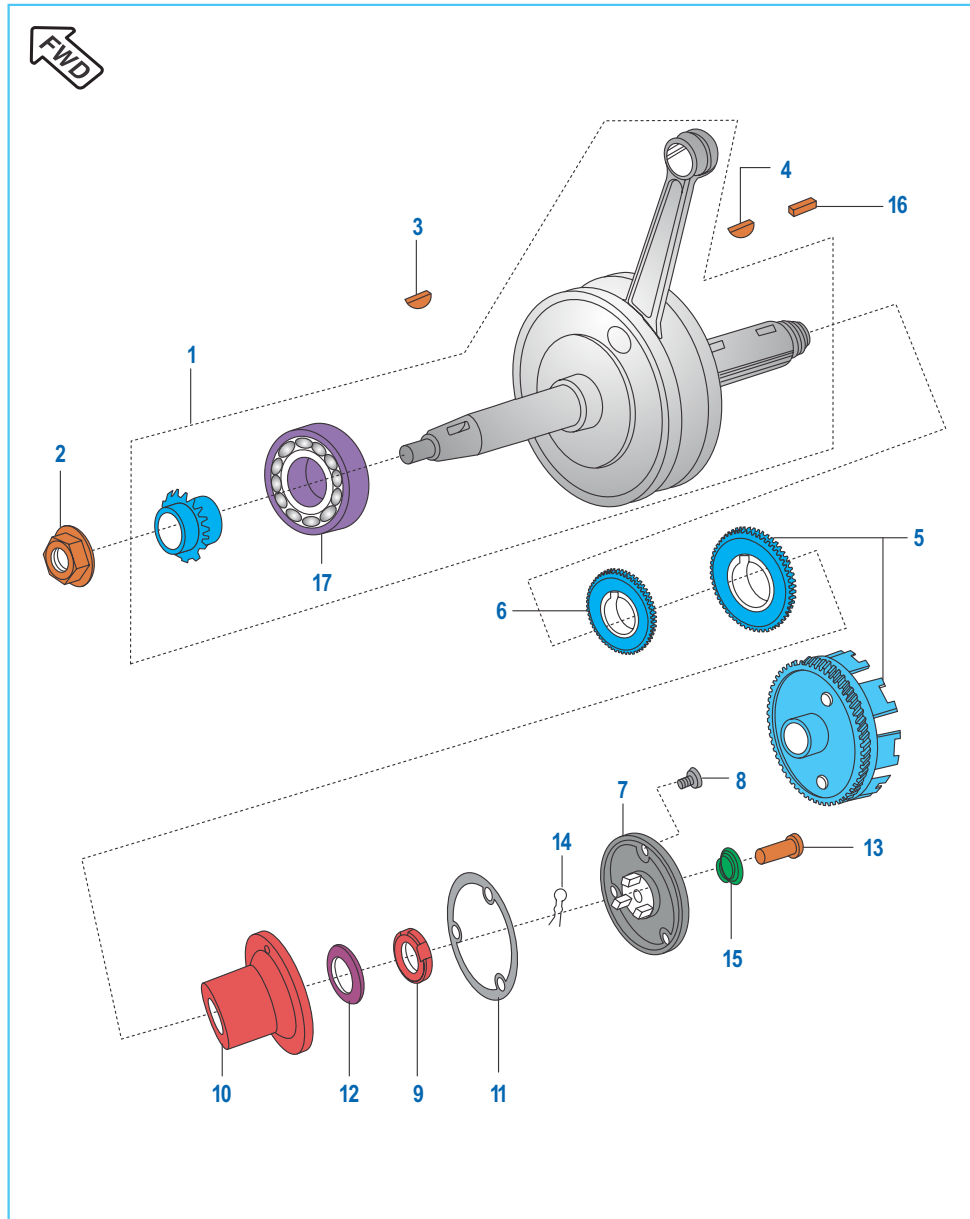
No.	Part No.	Description	Qty.	Remarks
1	DU 1010 78	Camshaft assly.	1	
2	DU 1010 67	Collar Cam	1	
3	DU 1010 56	Sprocket (28 T)	1	
4	DU 1010 66	Washer Spl. Cam Shaft	1	
5	DU 1010 96	Hex. Soc. HD Screw	1	
6	39 0748 01	Screw Pan Cross	2	
7	39 0999 06	Hollow Dowel Pin	2	
8	31 1010 33	Chain	1	
9	36 3110 06	Chain Guide Kit	1	Refer Page No. 99
10	DD 1014 87	Tensioner Assly with 'O' ring	1	
11	39 1790 21	O Ring	1	
12	39 1790 21	O Ring	1	
13	DD 1010 62	Bolt	1	
14	LA D000 26	Bolt Flanged Small	2	

Cylinder and Piston



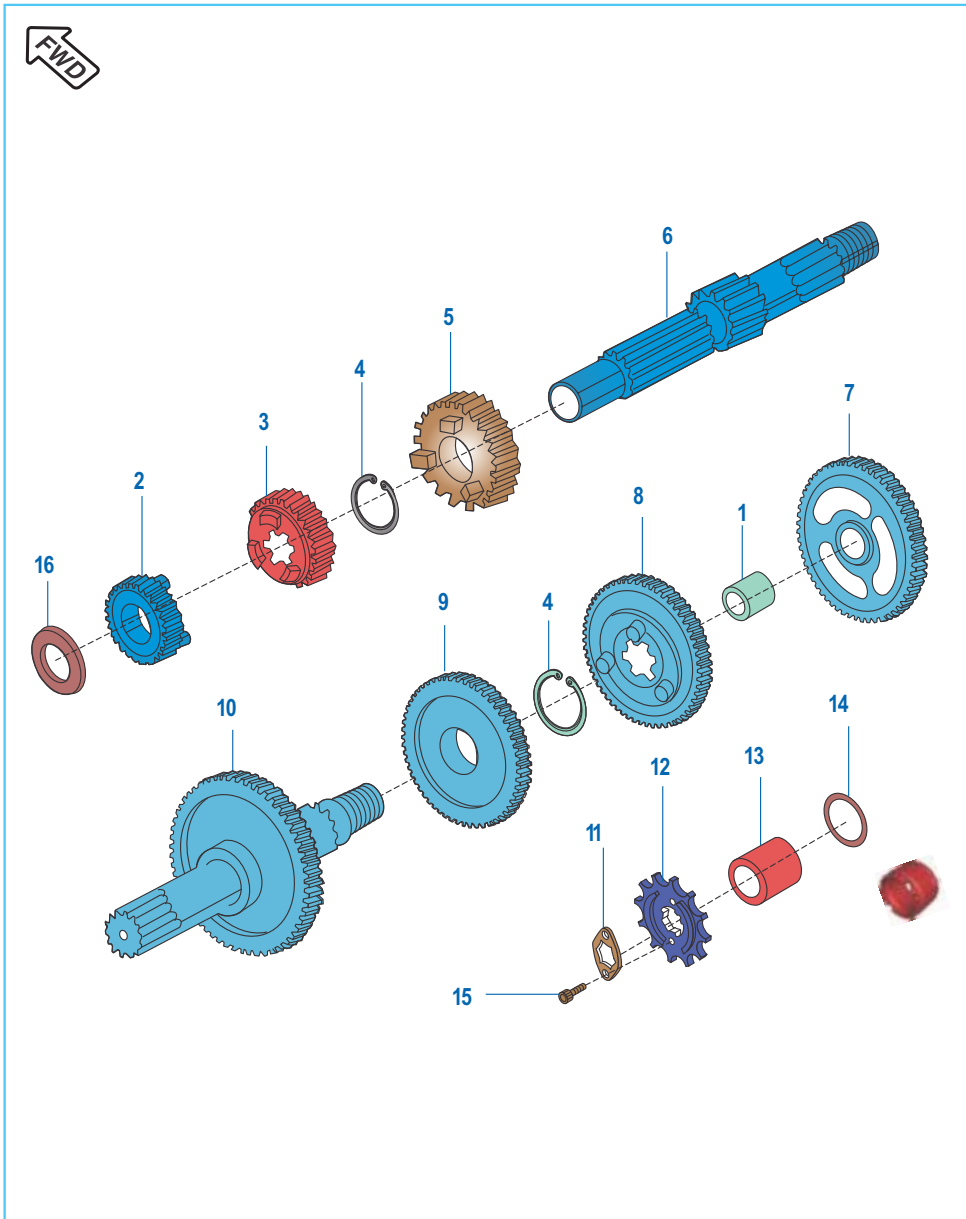
No.	Part No.	Description	Qty.	Remarks
1	DU 1012 18	Cylinder Block Piston assly	1	Refer Page No. 100
2	36 DD40 01	Piston ring set std.	1	
3	39 1000 06	Hollow dowel Pin	2	
4	DD 1010 07	Gasket - Cyl. Block	1	
5	39 0985 17	Wire Clip	2	
6	DH 1014 30	Damper	3	

Crankshaft

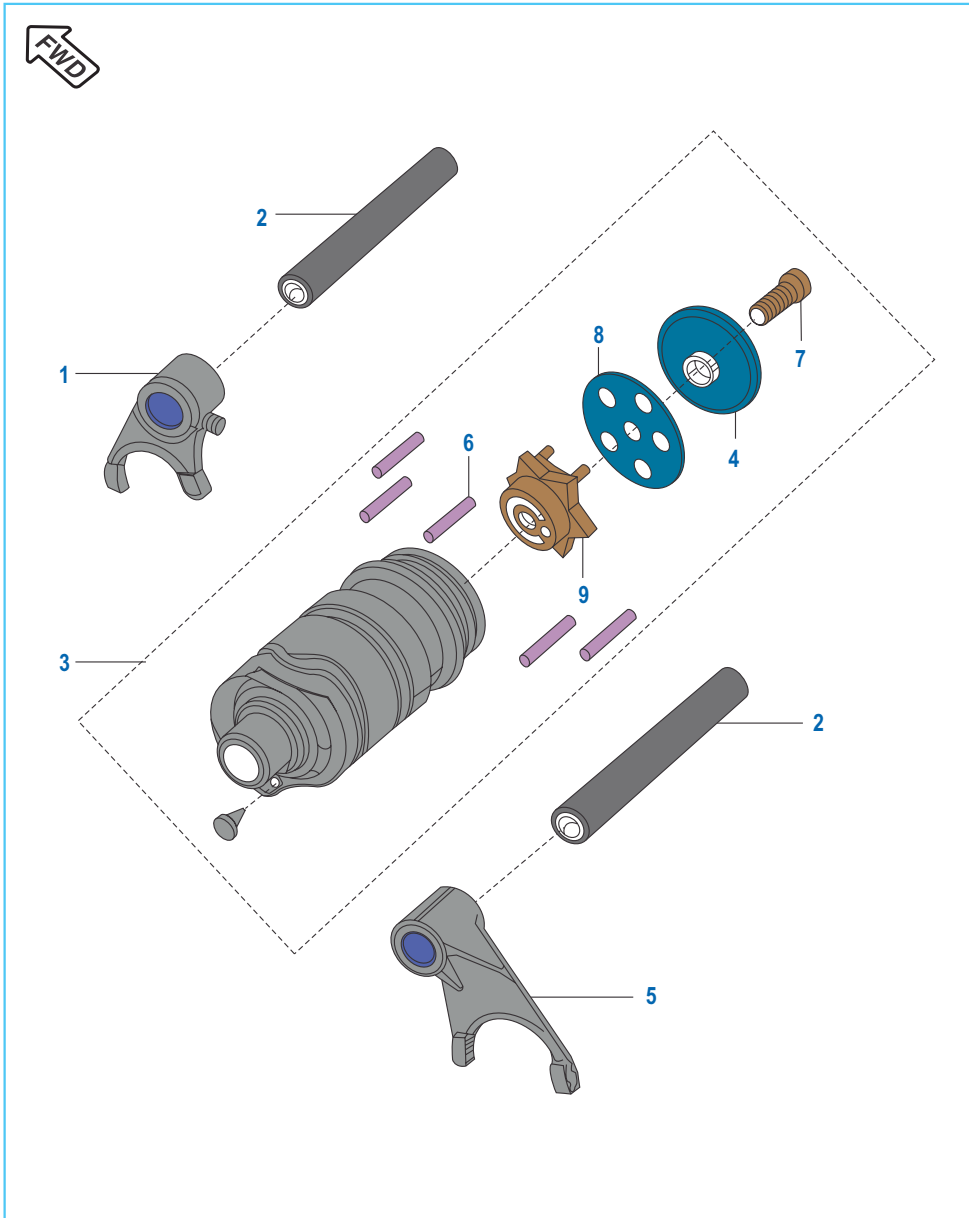


No.	Part No.	Description	Qty.	Remarks
1	DU 1010 05	Crankshaft Assly.	1	
2	39 1055 15	Nut	1	
3	01 1006 10	Woodruff Key	1	
4	DU 1012 11	Key Woodruff	2	
5	36 DU40 55	Kit Gear Primary Drive + Driven	1	Refer Page No.99
6	FA 1013 34	Gear - Oil Pump Drive	1	
7	DU 1010 41	Cover	1	
8	39 1699 01	Countersunk Screw	3	
9	DH 1011 95	Nut	1	
10	DX 1010 53	Body Centrifugal Oil Filter (C.I.)	1	
11	DU 1010 10	Gasket Central Oil Filter	1	
12	39 2200 11	Washer	1	
13	DH 1010 66	Joint Oil Delivery	1	
14	39 2199 08	Pin Snap	1	
15	DH 1010 67	Spring Oil Delivery	1	
16	28 1011 07	Key Woodruff	1	
17	39 1864 20	Bearing ball	1.	

Transmission



No.	Part No.	Description	Qty.	Remarks
1	DD 1013 09	Bushing Floating	1	
2	DX 1010 45	Gear 2nd Input	1	
3	DX 1010 48	Gear Transmission Spur (3rd)	1	
4	39 0987 17	Ring Snap (16 mm)	2	
5	DX 1010 49	Gear 4th Input	1	
6	DU 1010 11	Shaft Transmission Input	1	
7	DU 1010 80	Gear 1st Output	1	
8	DX 1010 51	Gear 4th Output	1	
9	DX 1010 50	Gear Transmission Spur (3rd)	1	
10	DX 1010 46	Shaft Transmission Output	1	
11	DU 1012 13	Plate For Sprocket Output	1	
12	DX 1010 52	Sprocket Output	1	
13	31 1012 16	Collar (Sintered)	1	
14	DP 1011 68	'O' Ring	1	
15	39 1981 04	Bolt	2	
16	DD 1014 75	Washer Special	1	

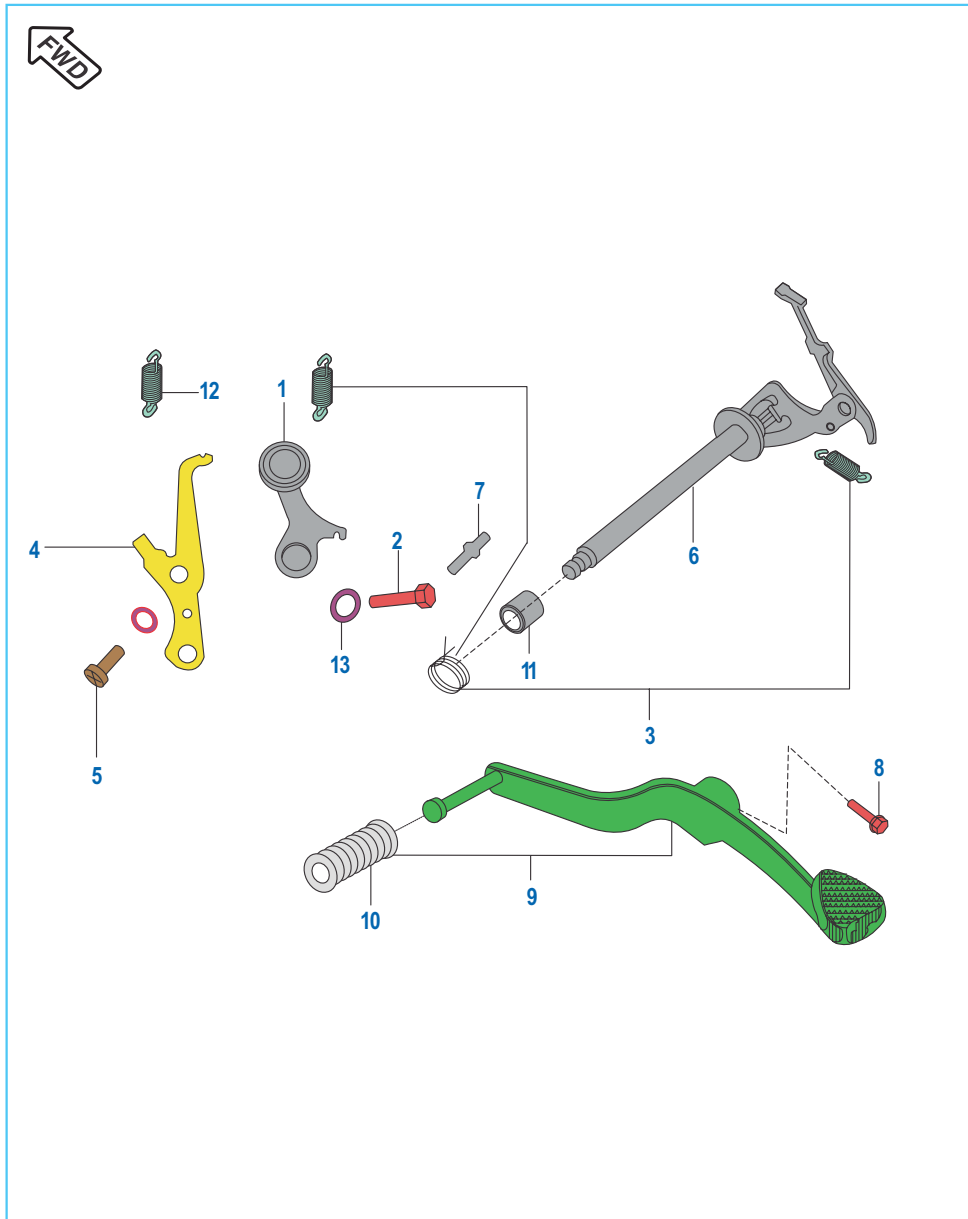


 Front Wheel Direction

Change Drum / Shift Fork

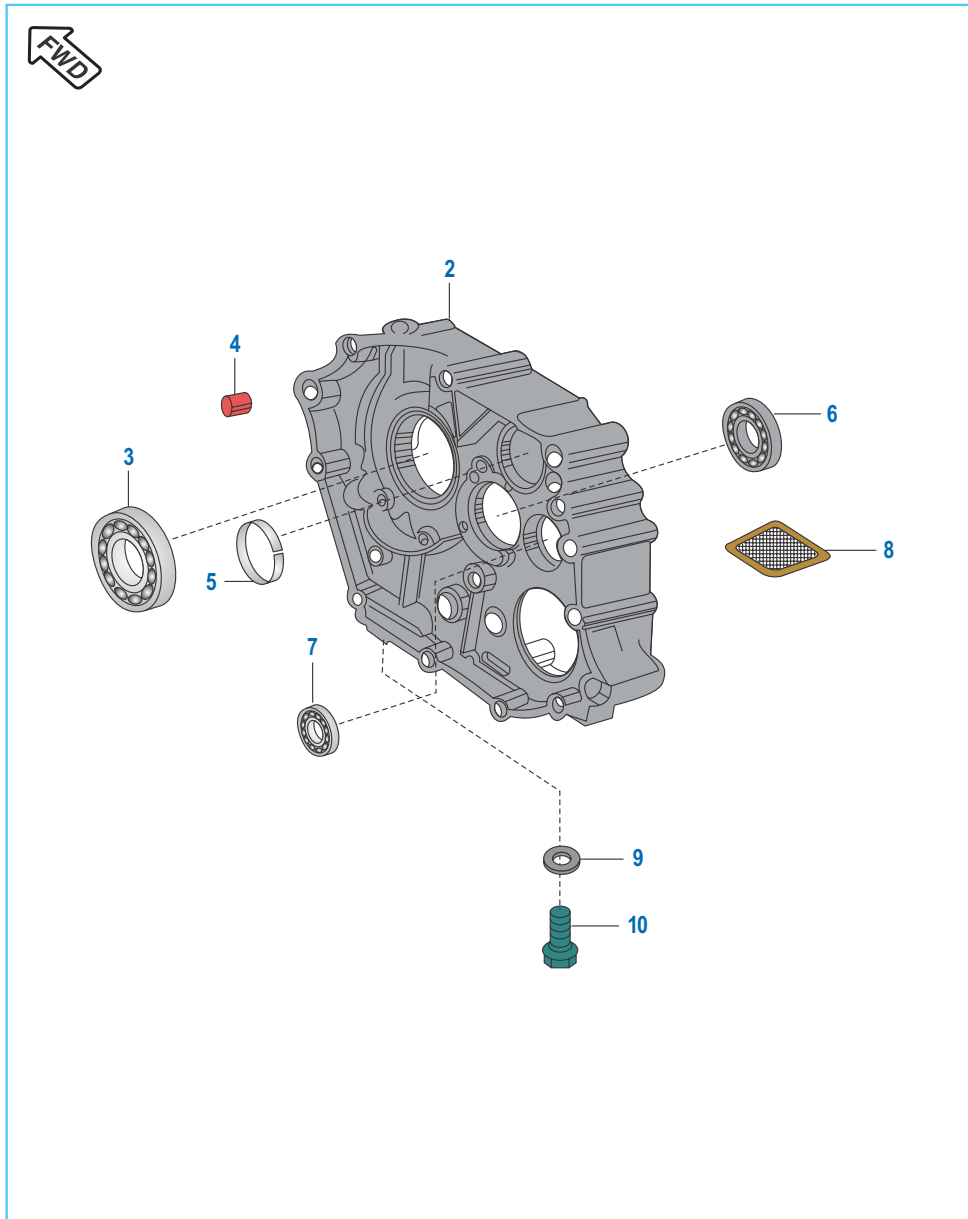
No.	Part No.	Description	Qty.	Remarks
1	31 1011 91	Fork Shift	1	
2	31 1010 51	Rod shift	2	
3	DU 1010 81	Drum Assly. Change	1	
4	DM 1010 98	Cup Stopper	1	
5	31 1011 92	Fork shift	1	
6	39 0992 06	Pin Dowel	5	
7	DP 1013 40	Bolt Soc. Head	1	
8	DM 1010 99	Plate Spacer	1	
9	DU 1010 83	Cam Drum Change	1	

Gear Change Mechanism



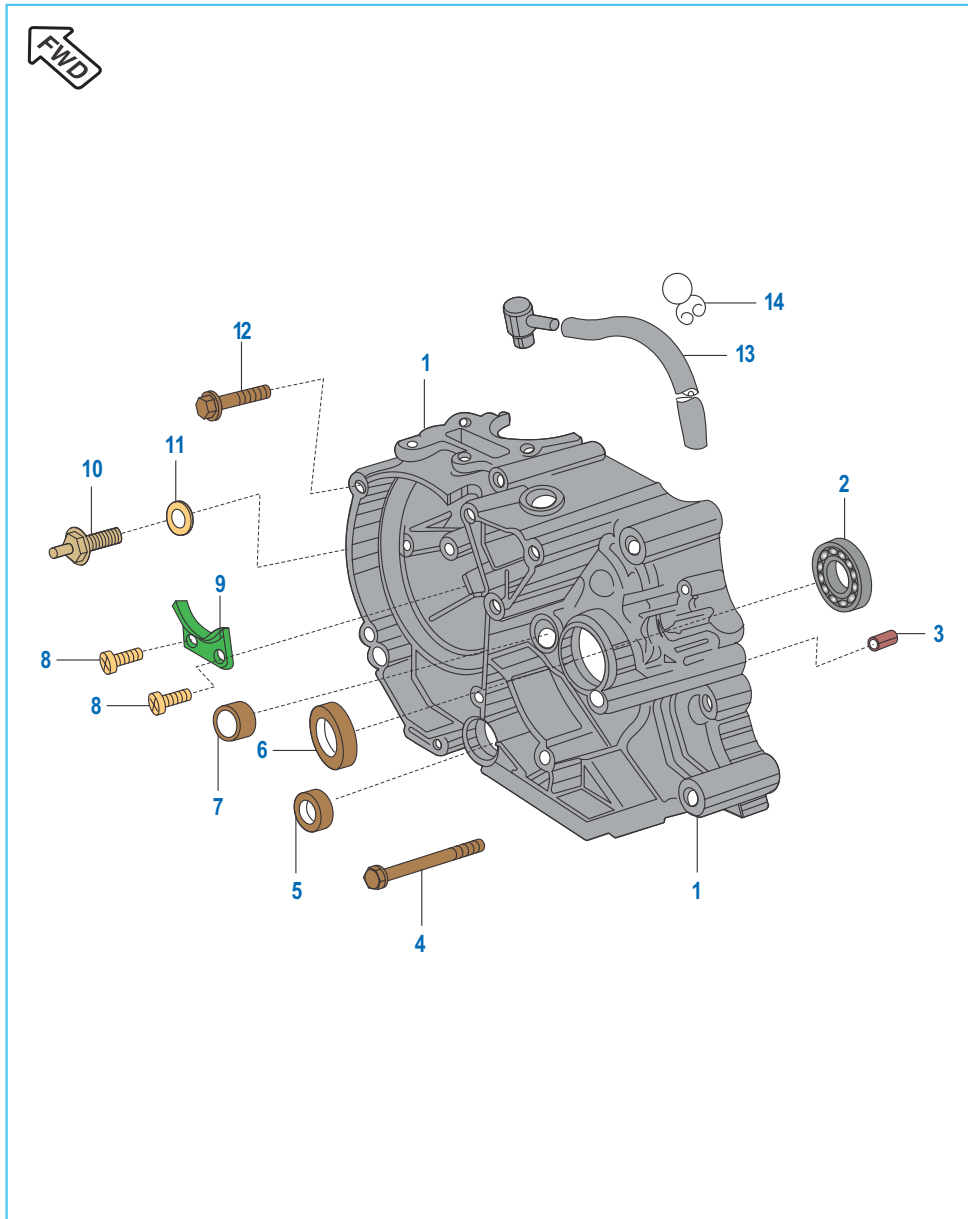
No.	Part No.	Description	Qty.	Remarks
1	DU 1010 73	Stopper Comp. Gear Shifter	1	
2	39 1994 04	Bolt	1	
3	36 DU10 04	Gear Lever Spring Kit	1	Refer Page No.100
4	DU 1010 74	Plate Position	1	
5	39 0746 01	Screw Pan Cross	1	
6	52 DU01 04	Lever Comp. Change Shaft	1	Shaft+Spring+collar
7	DD 1011 06	Bolt	1	
8	39 2474 04	Flanged bolt	1	
9	DU 1011 85	Lever Change / Damper	1	
10	31 10 1108	Damper	1	
11	31 1011 09	Collar	1	
12	39 2704 11	Washer Spring Steel	1	
13	DU 1011 13	Spacer	1	

Engine Assembly / Crankcase RH



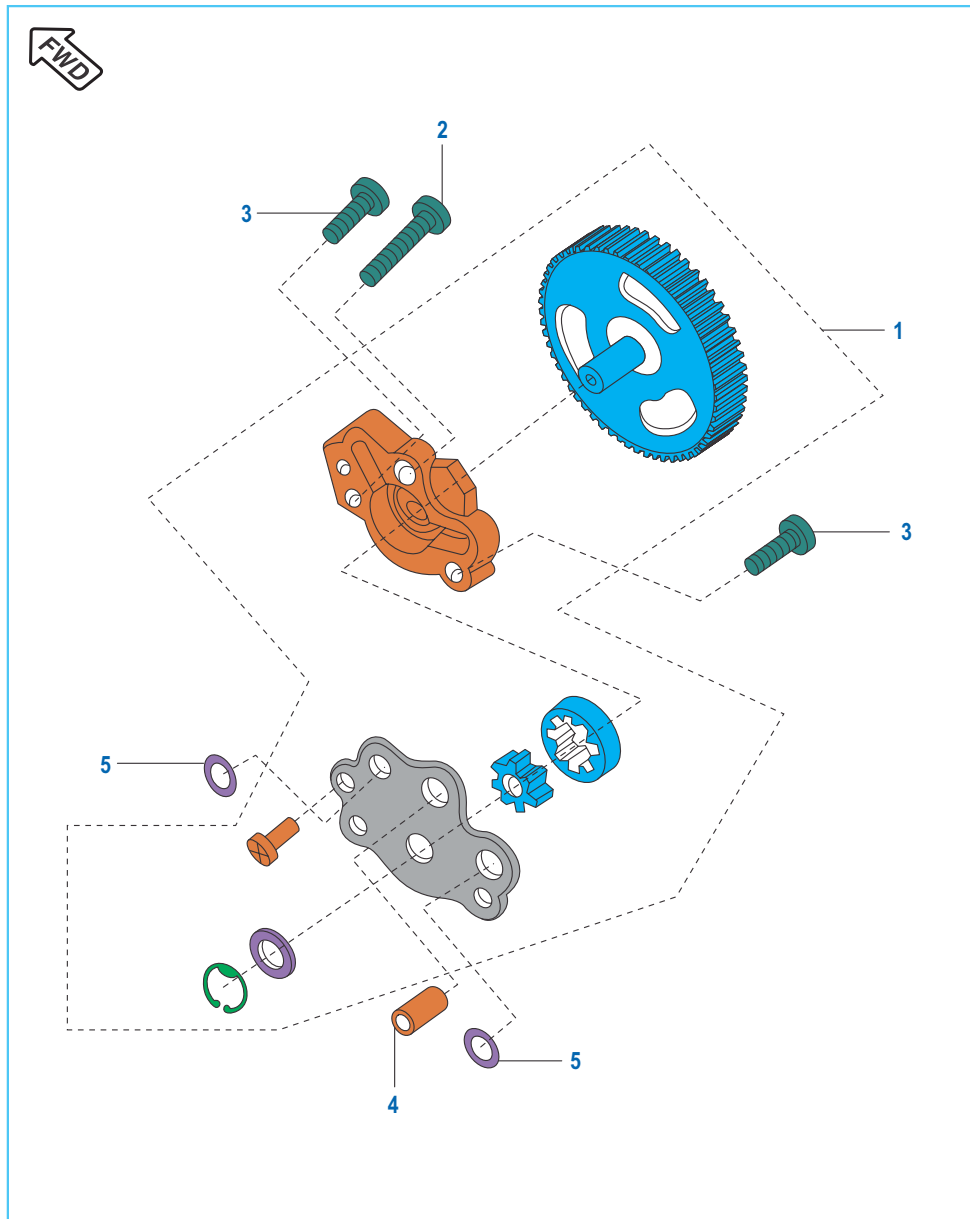
No.	Part No.	Description	Qty.	Remarks
1	DU 1012 52	Engine Assembly	1	N.I.
2	DU 1010 75	Crankcase RH	1	
3	39 1864 20	Bearing Ball	1	Crankshaft
4	39 0999 06	Dowel Pin	5	
5	DU 1010 85	Bushing	1	
6	01 1701 11	Bearing	1	
7	01 1701 10	Bearing	1	
8	31 1211 00	Oil Strainer	1	
9	DG 1014 98	Gasket	1	
10	DU 1012 23	Plug (Drain)	1	

Crankcase LH



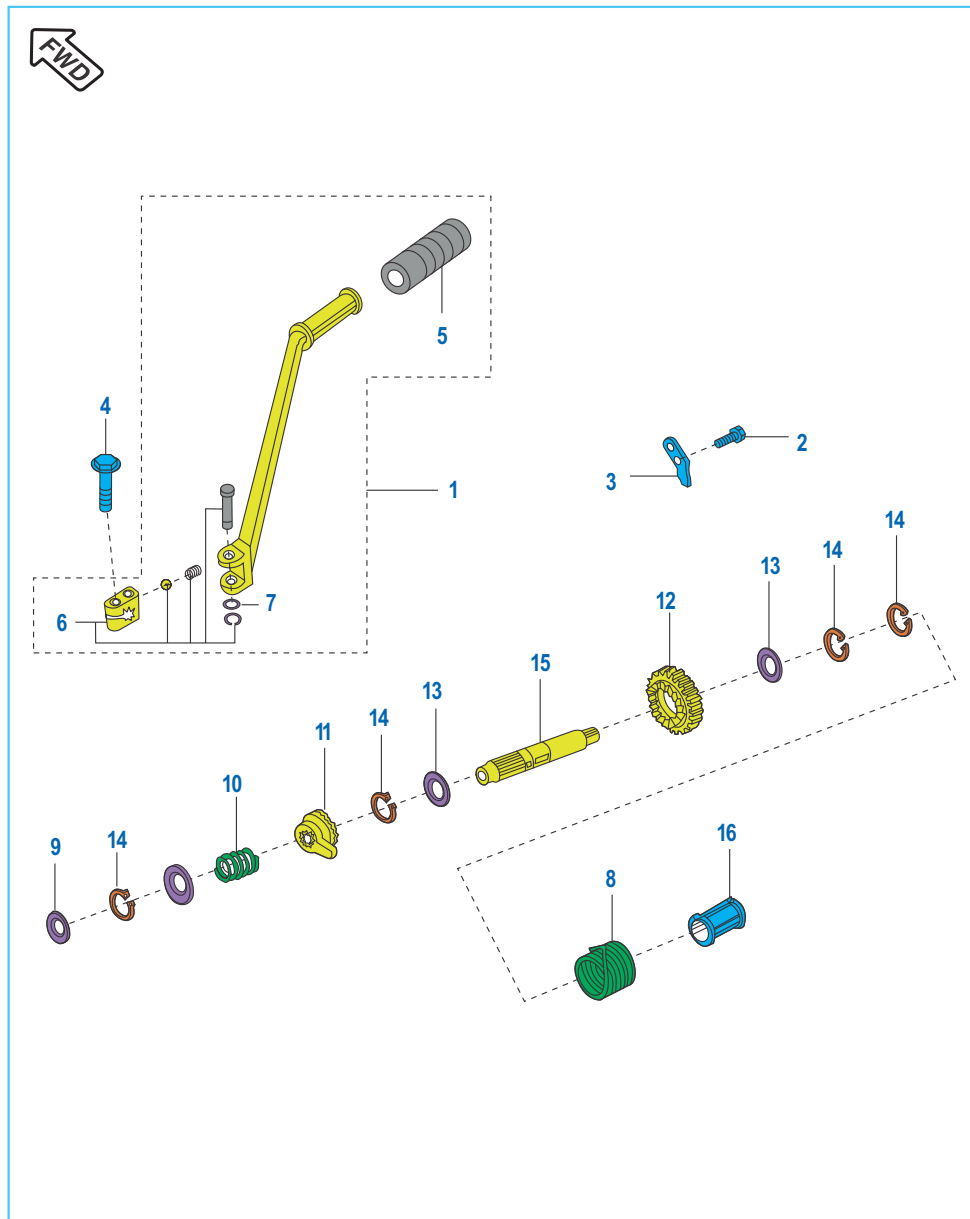
No.	Part No.	Description	Qty.	Remarks
1	DU 1012 16	Crankcase LH	1	
2	01 1701 11	Ball Bearing	1	
3	BA 1020 06	Dowel Pin	2	
4	39 1066 04	Bolt M6	3	
5	39 1043 19	Oil Seal	1	
6	39 1080 19	Seal Oil	1	
7	39 1008 20	Bearing Needle	1	
8	39 0702 01	Screw Pan Cros	2	
9	31 1010 56	Guide	1	
10	31 2010 81	Neutral Switch Comp	1	
11	DH 1012 64	Gasket Neutral Switch	1	
12	39 1075 04	Bolt Flanged M6	7	
13	DZ 1010 34	Tube rubber	1	
14	DP 1210 25	Clamp	2	

Oil Pump



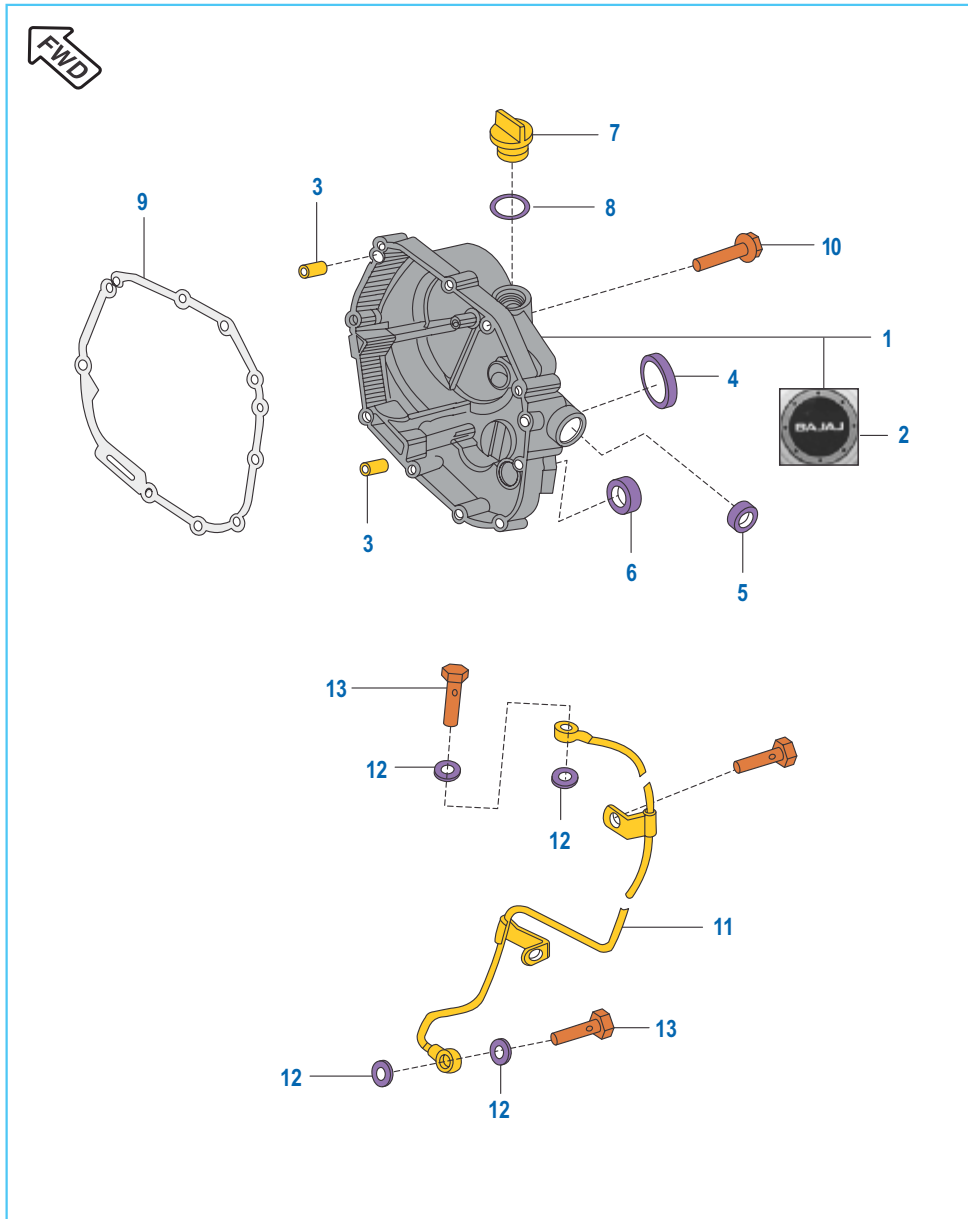
No.	Part No.	Description	Qty.	Remarks
1	DF 1210 03	Pump Assly. Oil	1	
2	39 0753 01	Screw Pan Cros	1	
3	39 1078 01	Screw Pan Cros	2	
4	39 0999 06	Pin dowel	1	
5	39 1013 21	Ring O	2	

Kick Starter Mechanism



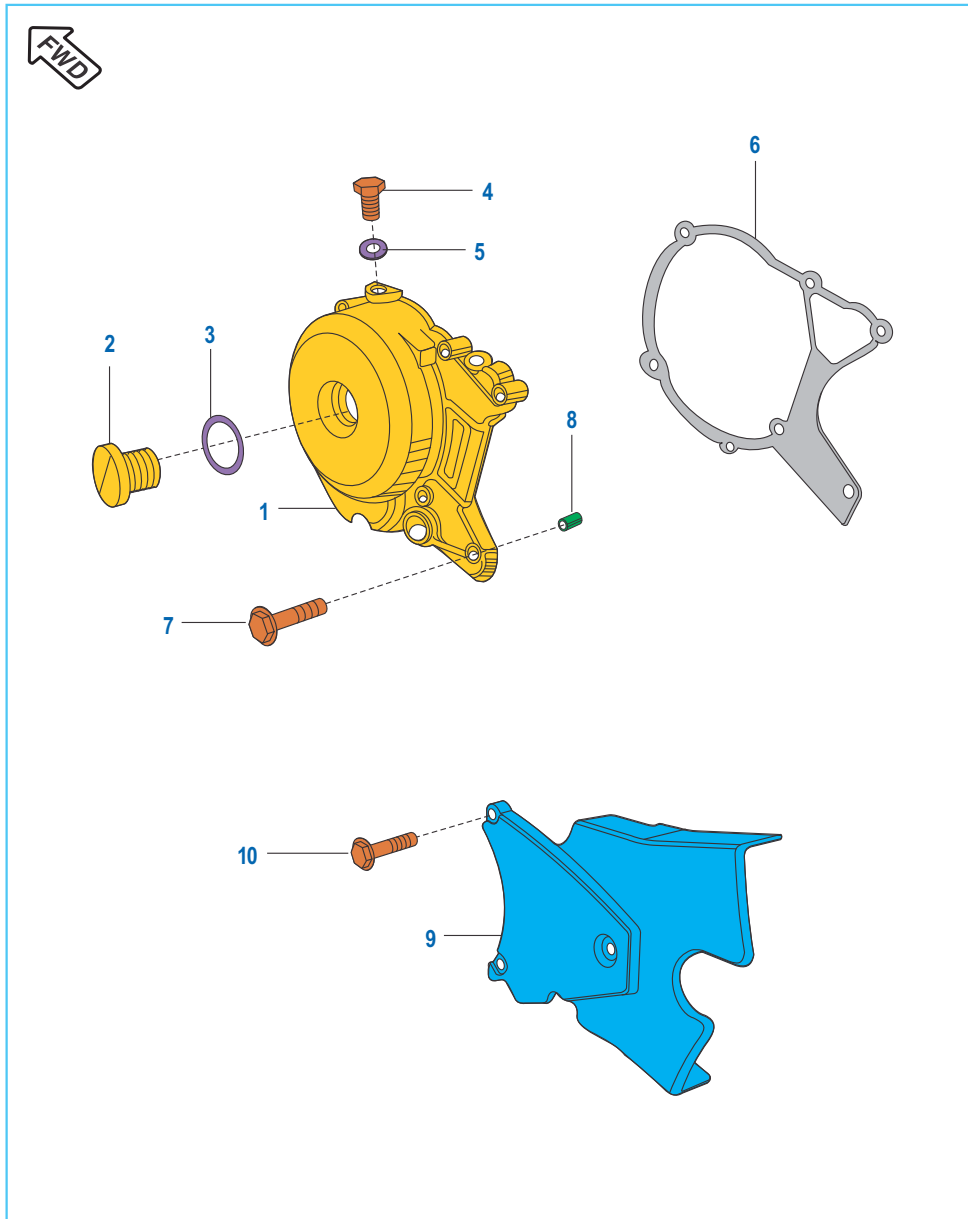
No.	Part No.	Description	Qty.	Remarks
1	DU 1010 50	Lever Assly Kick Comp.	1	
2	DD 1012 64	Screw Pan Cross	2	
3	DD 1012 54	Guide Kick	1	
4	59 0400 25	Flanged bolt	1	
5	30 1011 54	Bush (Damper)	1	
6	36 DU10 07	Boss Kick Set	1	Refer Page No.99
7	22 1502 41	Plain Washer	1	
8	31 1010 41	Spring	1	
9	39 0993 11	Plain Washer	1	
10	31 1010 39	Coil Spring	1	
11	31 1010 38	Ratchet	1	
12	DU 1010 38	Gear Spur Kick Start	1	
13	39 0995 11	Plain Washer	2	
14	39 0738 17	External Circlip Type C	4	
15	DU 1010 45	Shaft Kick	1	
16	31 1010 40	Guide	1	

Cover Clutch

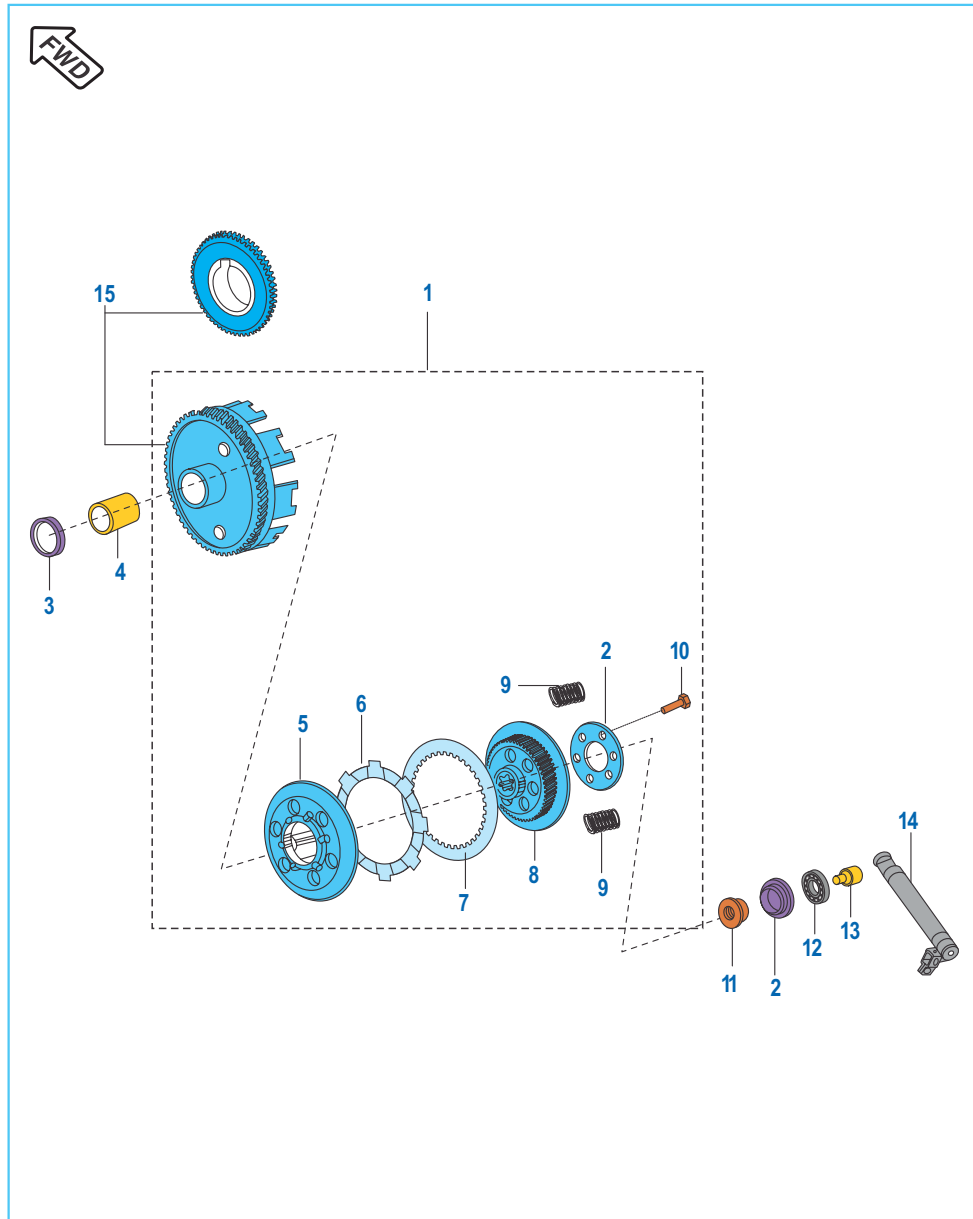


No.	Part No.	Description	Qty.	Remarks
1	DZ 1010 47	Clutch cover & Decal	1	Refer Page No.99
2	DZ 1010 46	Label Clutch Cover	1	
3	39 0999 06	Dowel Pin	2	
4	31 1010 67	Gauge	1	
5	39 1041 19	Seal oil	1	
6	30 1011 42	Seal oil	1	
7	DD 1013 25	Cap oil filler	1	
8	39 2134 21	O ring	1	
9	DD 1010 60	Gasket (Clutch cover)	1	
10	39 1075 04	Bolt flanged small	10	
11	DU 1210 05	Pipe Oil	1	
12	DD 1015 17	Gasket	4	
13	39 1023 04	Bolt	3	

Cover Magneto



No.	Part No.	Description	Qty.	Remarks
1	31 1012 95	Cover Generator	1	
2	31 1010 62	Bolt	1	
3	39 1019 21	Ring O	1	
4	31 1010 61	Plug	1	
5	31 1011 13	Gasket	1	
6	DD 1010 58	Gasket - Generator Cover	1	
7	39 1074 04	Bolt Flanged Small	5	
8	39 0999 06	Pin	2	
9	DZ 1010 01	Cover Chain (Engine)	1	
10	39 2147 04	Bolt Flanged Small	3	

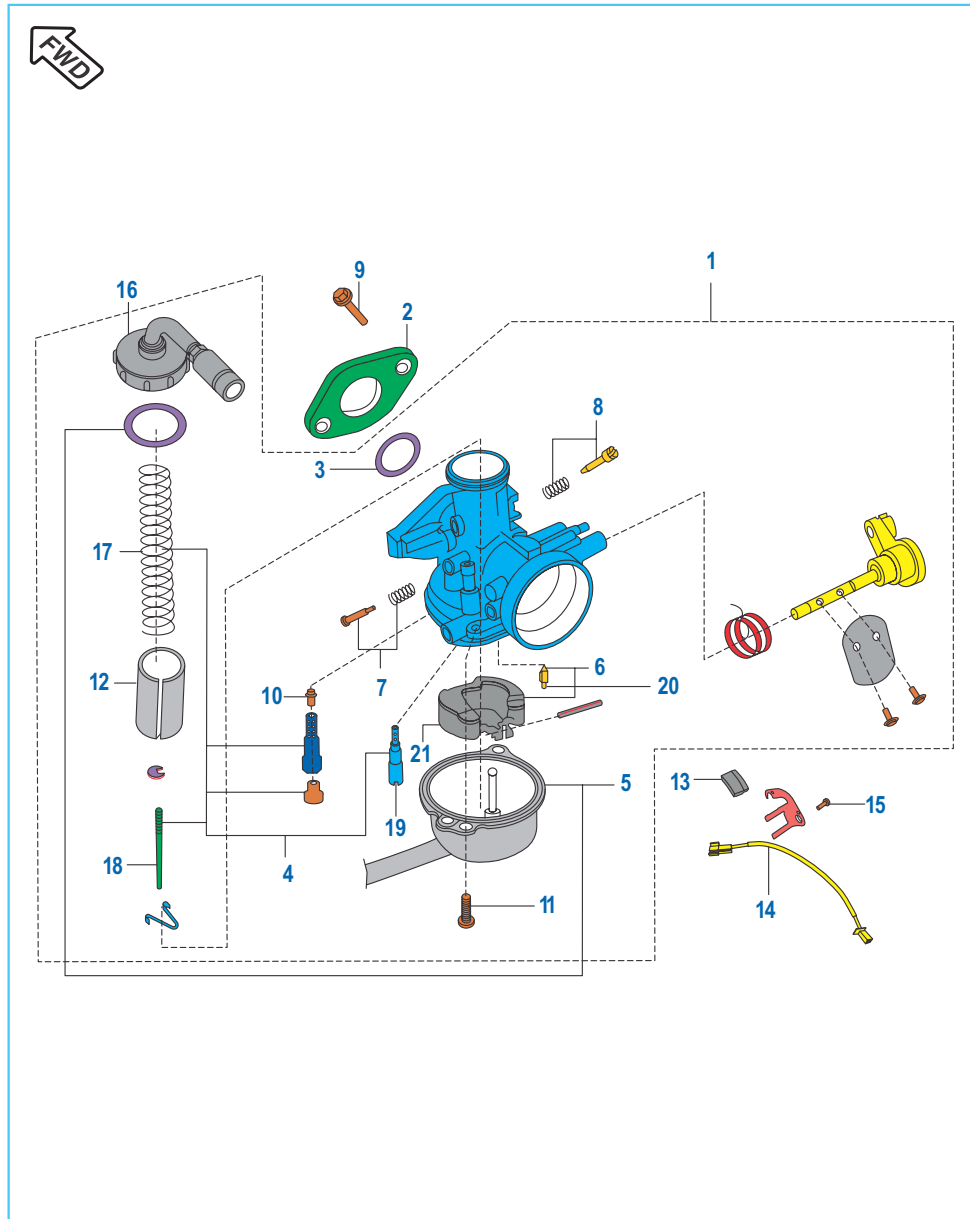


 Front Wheel Direction

Clutch Assy

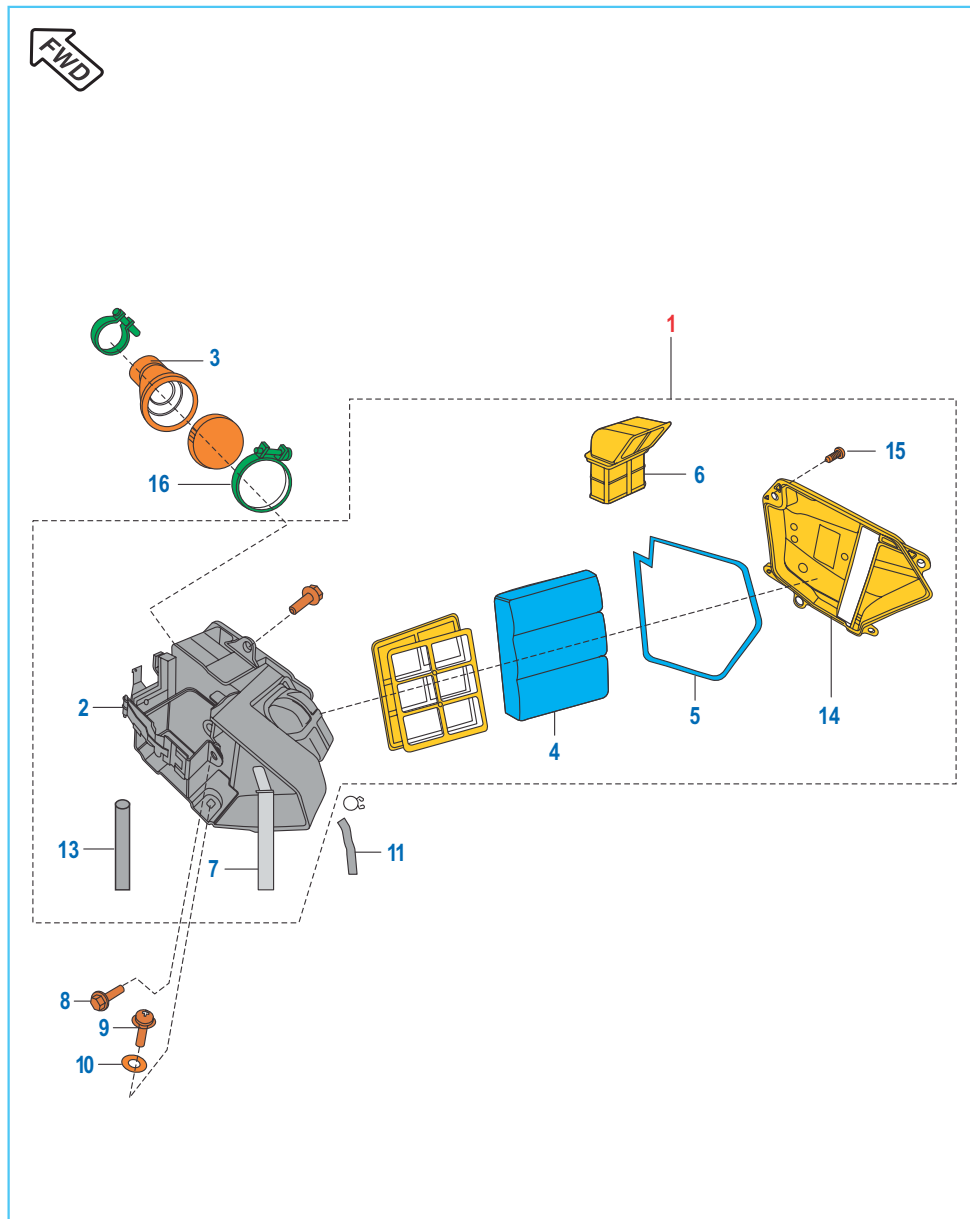
No.	Part No.	Description	Qty.	Remarks
1	DX 1010 55	Clutch Assembly	1	
2	31 1011 37	Holder	1	
3	39 2600 11	Plain Washer	2	
4	DU 1011 09	Collar	1	
5	DD 1014 92	Wheel Clutch	1	
6	36 DD40 08	Kit Plate Friction	1	Refer Page No.100
7	30 1010 96	Plate Clutch	4	
8	DD 1014 93	Hub Clutch	1	
9	28 1012 14	Spring	6	
10	39 0980 04	Hex. Bolt	6	
11	39 1053 15	Hex.Nut / Flange	1	
12	39 2403 20	Bearing	1	
13	31 1011 48	Rod Push	1	
14	DX 1010 35	Lever Assly. Complete	1	
15	36 DU40 55	Kit Gear Primary Drive + Driven	1	Refer Page No.99

Carburetor Assembly



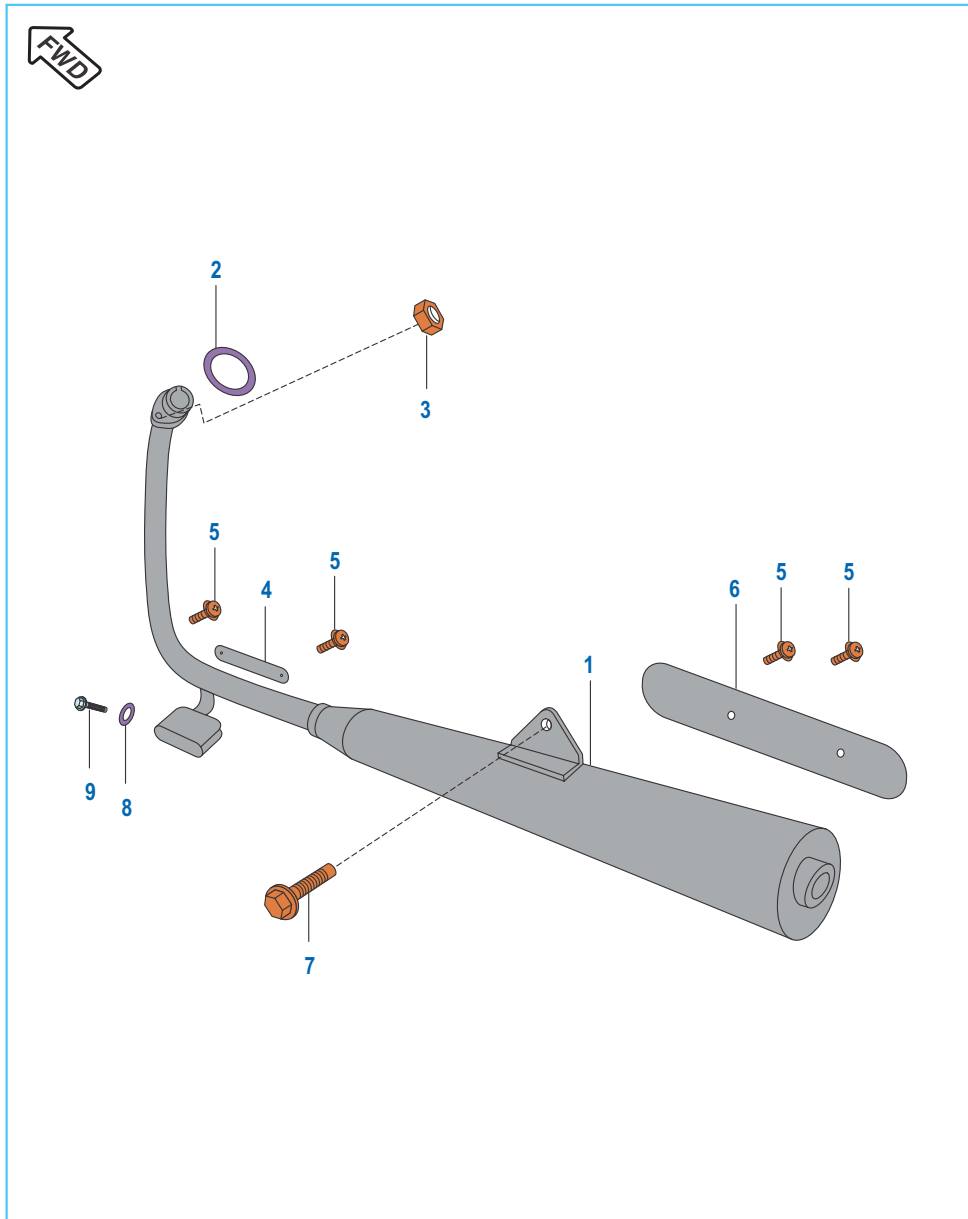
No.	Part No.	Description	Qty.	Remarks
1	DU 1210 09	Carburettor Assly. (PB-16)	1	
2	DU 1010 57	Insulator (Carburettor / Intake)	1	
3	39 1283 21	O ring	1	
4	36 DU12 06	Carburettor Holder / Jet Kit	1	
5	36 DU12 04	Gasket O ring Kit for Carb.	1	
6	36 DU12 05	Carburettor Float pin Kit	1	
7	36 DU12 02	Idling Screw kit	1	
8	36 DU12 03	Air Control Screw Kit	1	
9	DU 1012 28	Flanged bolt	2	
10	DU 1210 28	Seat for Jet Needle	1	
11	DD 1211 71	Screw with washer	2	
12	DU 1210 17	Valve throttle	1	
13	DH 1211 01	Magnet Assly.	1	
14	DH 1211 02	Reed Switch Assly.	1	
15	39 1062 04	Bolt Flanged Small	1	
16	DU 1210 22	Cap Assly.	1	
17	DU 1210 21	Spring Throttle	1	
18	DU 1210 18	Needle Jet	1	
19	DU 1210 13	Jet Pilot	1	
20	DD 1211 68	Valve Float	1	
21	DU 1210 15	Float	1	

Air Cleaner Complete



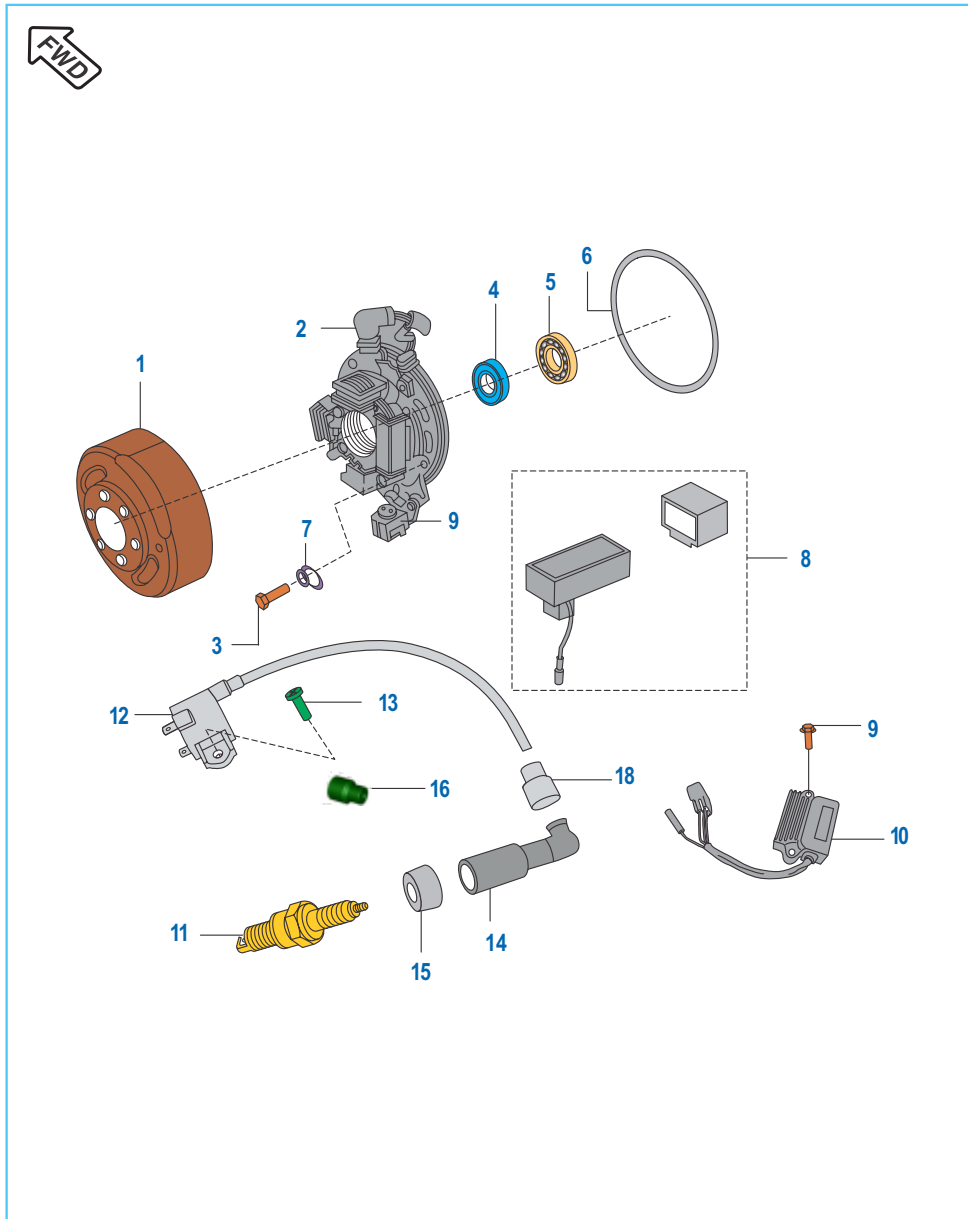
No.	Part No.	Description	Qty.	Remarks
1	DF 1210 23	Filter assly air	1	
2	39 0147 08	Pin Split	1	
3	DU 1210 08	Duct (A/F to Carburettor)	1	
4	31 1210 29	Element air filter	1	
5	DM 1210 07	Ring O Air Filter	1	
6	DH 1211 03	Duct (Inlet)	1	
7	DM 2210 01	Band - Tool kit	1	
8	39 1680 04	Flanged bolt (Battery)	1	
9	39 2407 01	Screw (Mounting air filter)	2	
10	39 1789 24	Washer (Nylon)	2	
11	DU 1210 32	Band (Battery)	1	
12	DU 1210 30	Damper battery	2	N.I.
13	DM 1210 14	Tube oil drain	1	
14	DM 1210 04	Cap/Cover Air Filter	1	
15	39 0830 01	Screw	4	
16	DH 1210 38	Clamp	1	
17	DU 2010 92	Battery Pad (Foam)	1	N.I.

Silencer Assembly



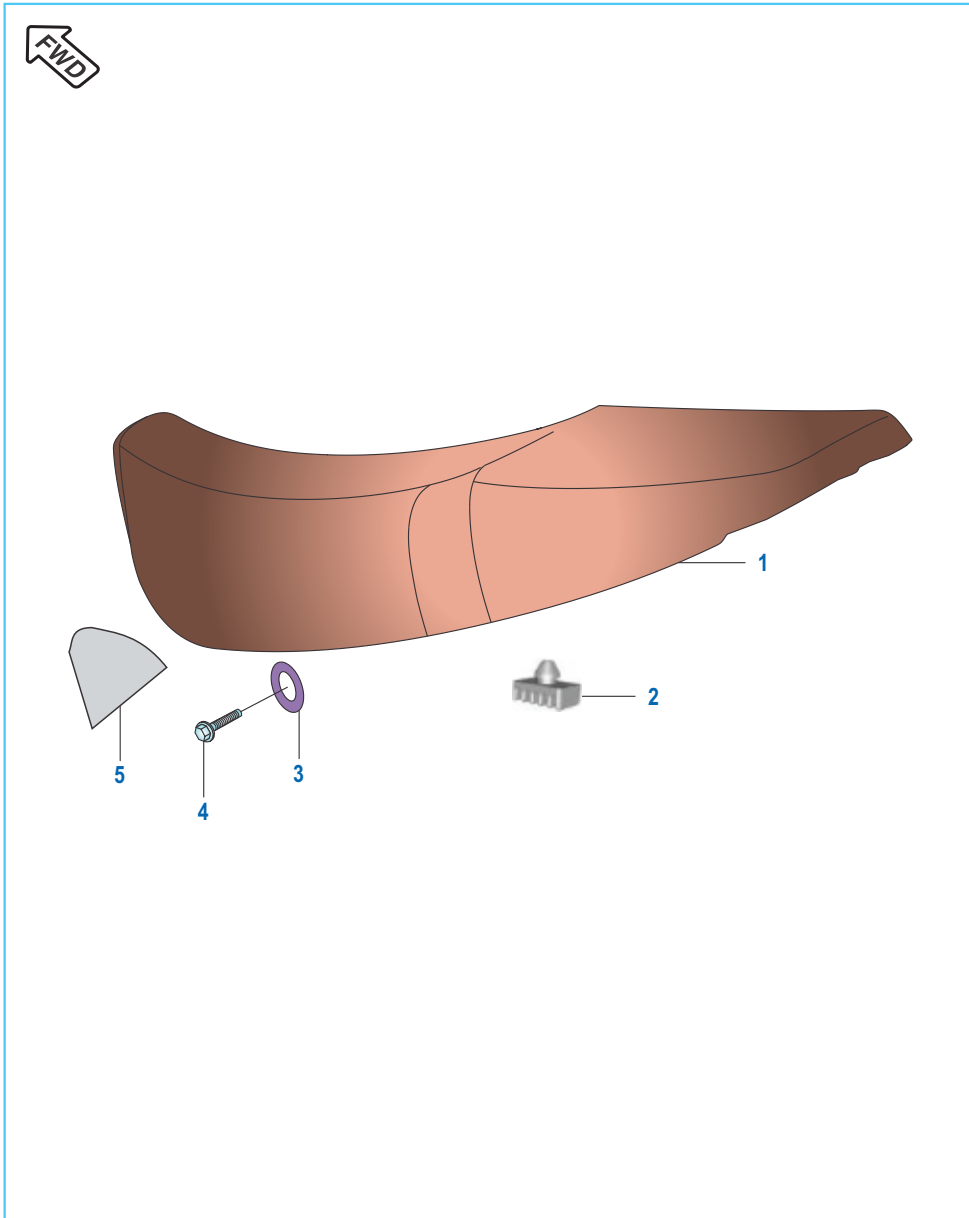
No.	Part No.	Description	Qty.	Remarks
1		Silencer Without Shields	1	
2	31 10 1014	Gasket	1	
3	DU 1012 06	Nut	2	
4	DZ 1010 44	Shield Cat Cover	1	
5	DH 1016 07	Truss Screw	4	
6	DZ 1010 31	Shield Muffler Rear	1	
7	DD 1013 66	Flanged Bolt	1	
8	39 2492 11	Plain Washer	1	
9	39 2754 04	Hex Flanged Bolt	1	

Magneto, CDI & H.T. Coil



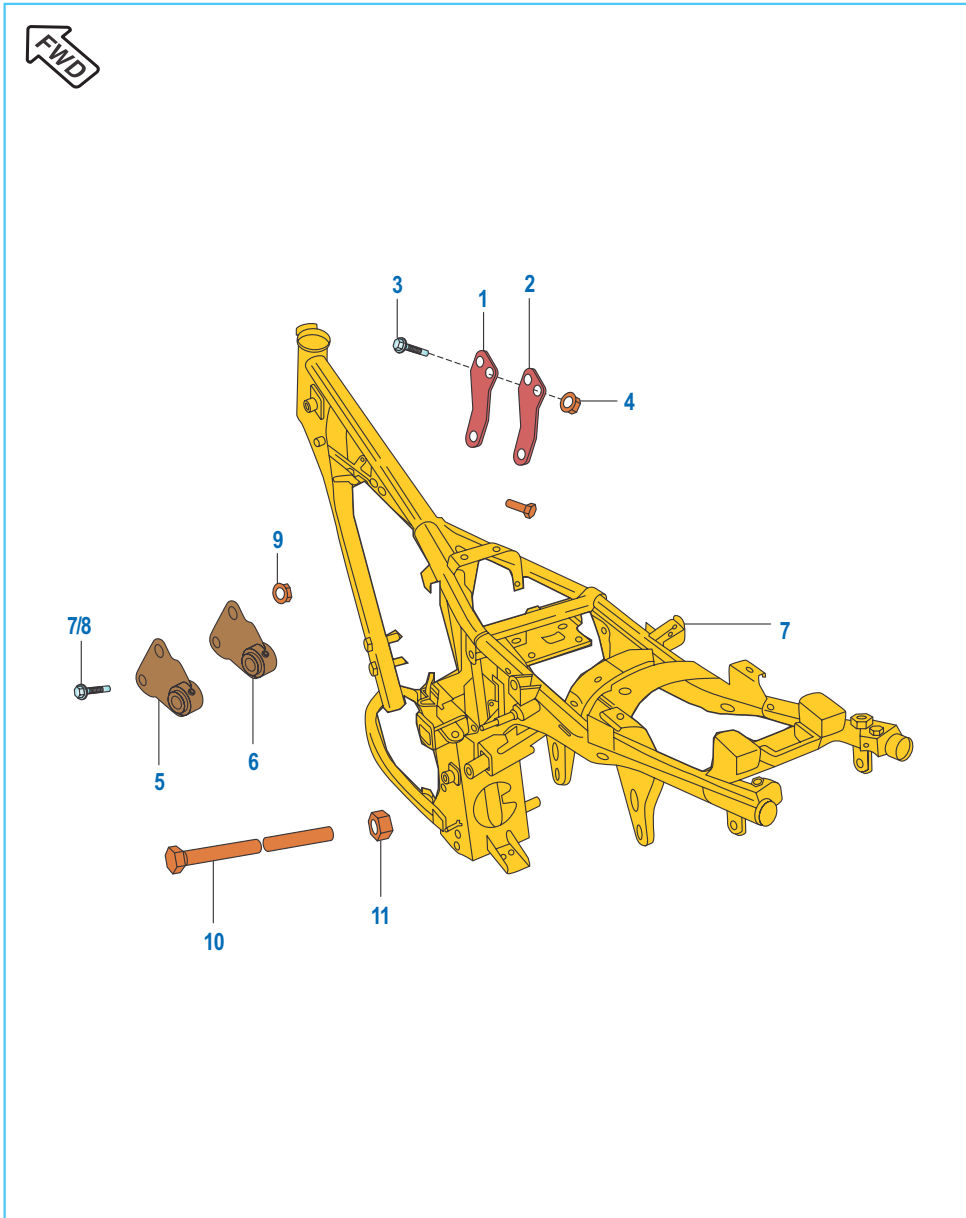
No.	Part No.	Description	Qty.	Remarks
1	DX 1110 05	Rotor Assly	1	
2	DX 1110 06	Stator assly	1	
3	DD 1013 18	Bolt	3	
4	39 1042 19	Seal Oil (HTA make)	1	
5	39 1003 20	Bearing ball	1	
6	39 1028 21	Ring O	1	
7	39 1659 11	Plain washer	3	
8	DZ 1110 02	CDI Unit	1	
9	39 1553 04	Flanged Bolt	2	
10	DU 2010 62	Regulator / Rectifier (R/R) unit	1	
11	DD 1110 36	Spark Plug (MICO UR3AC)	1	
	DD 1110 18	Spark Plug	1	Alternate
12	DZ 1110 12	H. T. Coil	1	
13	39 0745 01	Screw pan cross	1	
14	DD 1110 11	Grommet Spark plug Cap	1	
15	DD 1110 48	Cap Spark plug ®	1	
16	DD 1110 12	Grommet H.T. Cable	1	

Seat Assembly & Mounting



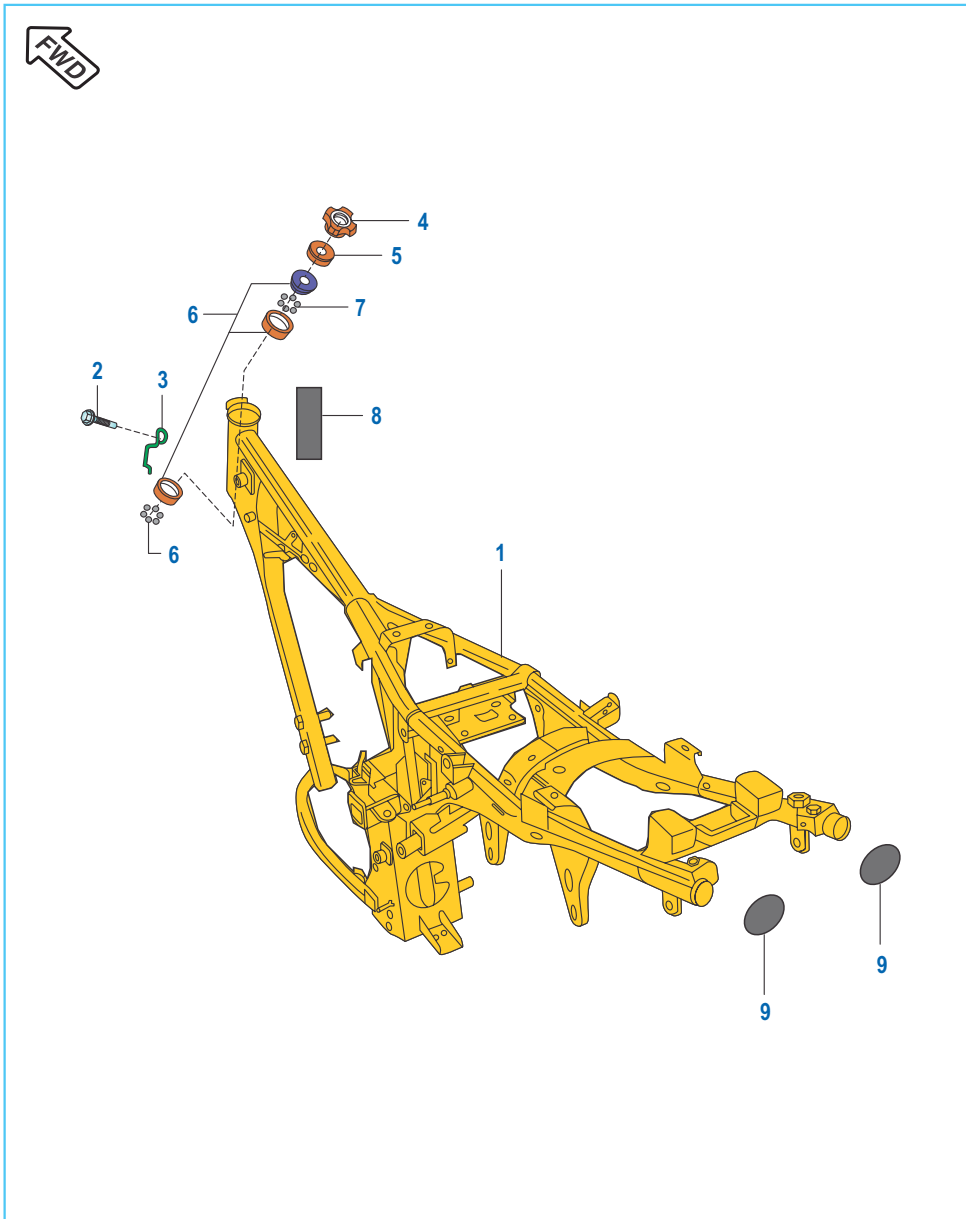
No.	Part No.	Description	Qty.	Remarks
1	DU 2110 01	Seat assly comp. with Damper	1	
2	DP 2110 09	Damper	9	
3	39 1211 11	Plain Washer	2	
4	39 1290 04	Hex. Bolt	2	
5	DU 1410 14	Seat Lab	1	

Engine Mountings



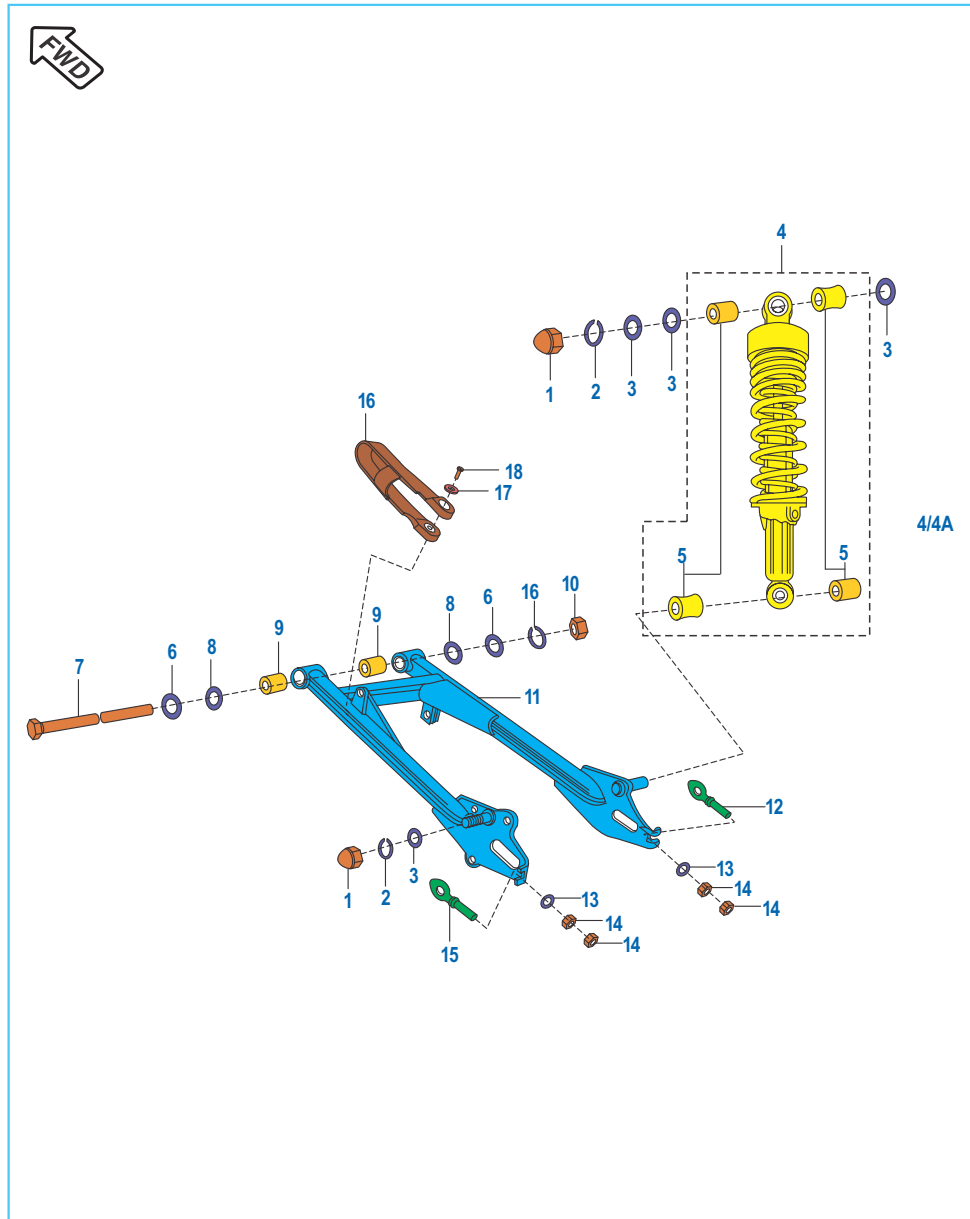
No.	Part No.	Description	Qty.	Remarks
1	DD 1610 53	Bracket Engine Upper LH	1	
2	DF 1611 68	Bracket Engine Upper RH	1	
3	39 2455 04	Hex Head Bolt	3	
4	59 1500 05	Nut Flanged	3	
5	DU 1610 93	Bracket Engine Front/Bush LH	1	
6	DU 1610 94	Bracket Engine Front/Bush RH	1	
7	59 0400 18	Hex Head Bolt M8X85L	1	
8	59 0400 17	Hex Head Bolt M8	1	
9	59 1500 05	Nut Flanged	2	
10	39 2702 04	Hex. Bolt	1	
11	39 2723 15	Hex Nut Flanged M10	1	

Frame & Frame Fittings



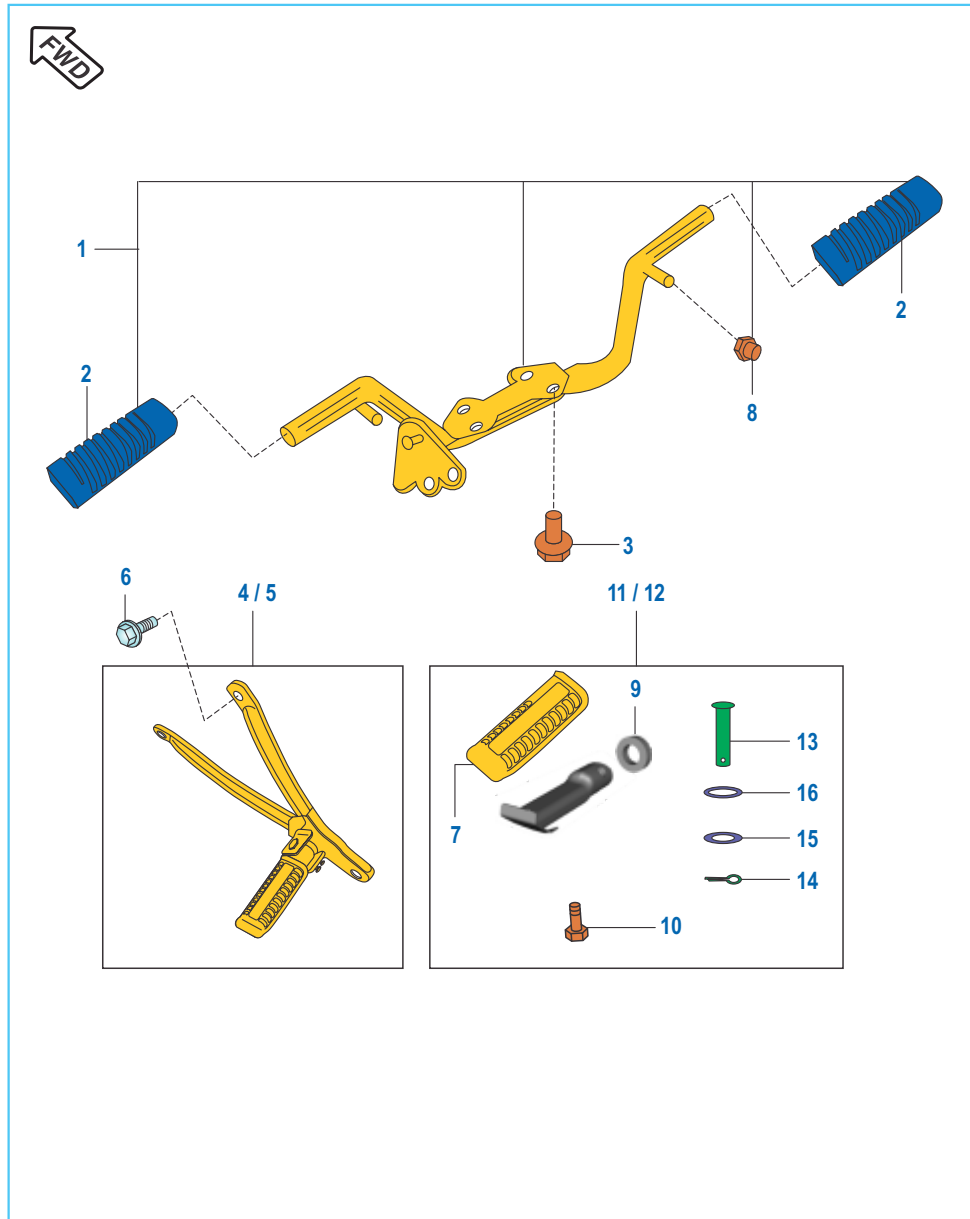
No.	Part No.	Description	Qty.	Remarks
1	DU 1611 25	Frame Comp./Brg.races	1	
2	39 2473 04	Flanged Bolt	1	
3	31 1910 02	Clamp	1	
4	DF 1810 90	Nut	1	
5	DF 1810 52	Cap Steering	1	
6	36 3140 05	Bearing cone kit	1	Refer Page No.99
7	30 18 1006	Ball Steel	46	
8	DU 1611 96	Tape Frame	1	
9	DU 1610 24	Plug	2	

Swing Arm / Rear Shock Absorber



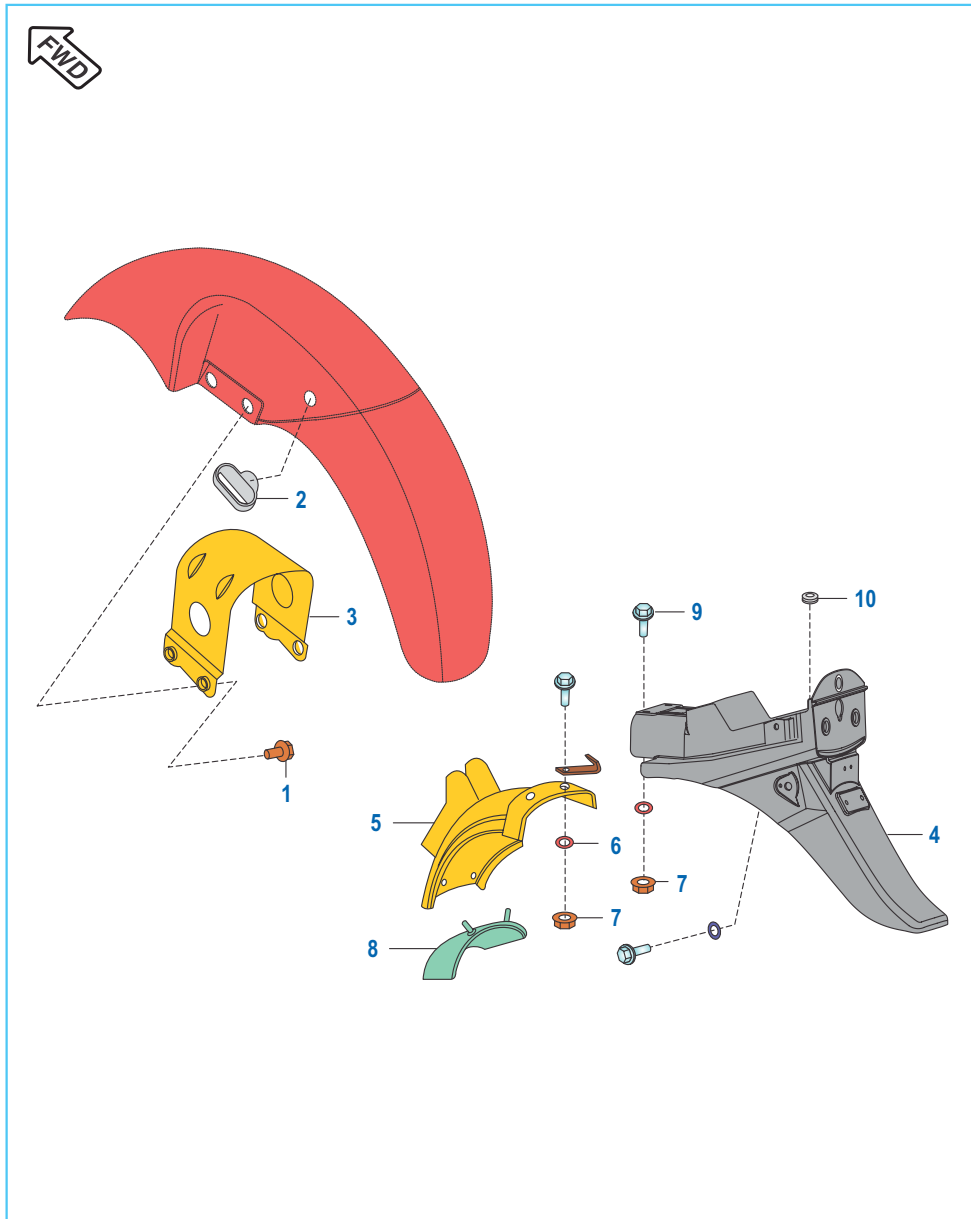
No.	Part No.	Description	Qty.	Remarks
1	JK 1220 07	Domed Cap Nut	4	
2	39 0737 12	Washer Spring	4	
3	39 0714 11	Washer Plain	8	
4	DZ 1710 16	Rear Shock Absorber	2	
5	36 DF17 01	Rubber Inner Bush kit	1	Refer Page No. 98
6	39 0248 11	Plain Washer	2	
7	31 1710 06	Shaft Swing Arm	1	
8	39 0201 11	Plain Washer	2	
9	30 1710 18	Bushing Rubber	2	
10	39 1225 15	Nut Hex./ flange	1	
11	DU 1710 17	Arm Comp. Swing / Bush	1	
12	52 DF00 21	Adjuster Chain (RH)	1	Refer Page No. 98
13	39 0711 11	Washer Plain	2	
14	39 0292 15	Hex Nut	4	
15	52 DF00 20	Adjuster Chain (LH)	1	Refer Page No. 98
16	31 1710 12	Damper for Swing arm	1	
17	39 0454 11	Plain washer	2	
18	39 0553 02	Self tapping Screw	2	

Foot Rest - Rider / Pillion



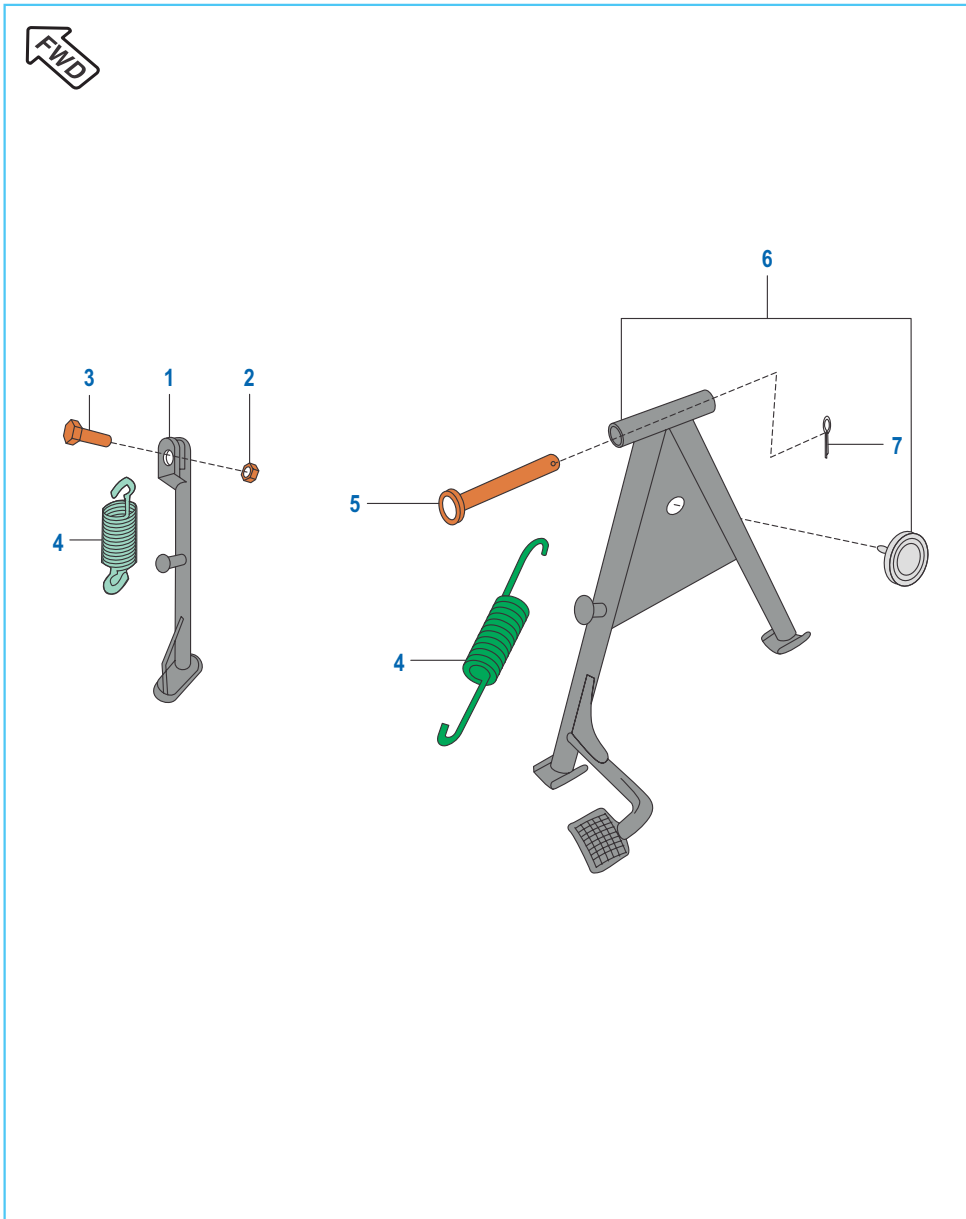
No.	Part No.	Description	Qty.	Remarks
1	DF 1614 25	Holder Step/Damper/Kick Stopper	1	
2	DF 1614 13	Rubber Main Step	2	
3	39 1940 04	Flanged Bolt	4	
4	DU 1611 44	Stay LH	1	
5	DU 1612 35	Stay RH	1	
6	39 2481 04	Hex bolt flanged	2	
7	DX 1610 56	Rubber Pillion Step (PVC)	2	
8	DH 1611 94	Kick Stopper	1	
9	DH 1611 78	Spacer Main Step	2	
10	22 1504 51	Bolts	2	
11	52 DU03 02	Pillion Step LH	1	
12	52 DU03 03	Pillion Step RH	1	
13	DD 1613 81	Pin Pillion Step	2	
14	39 0784 08	Pin Split	2	
15	30 1410 31	"O" Ring	2	
16	39 1040 11	Washer Plain	2	

Mudguard - Front & Rear



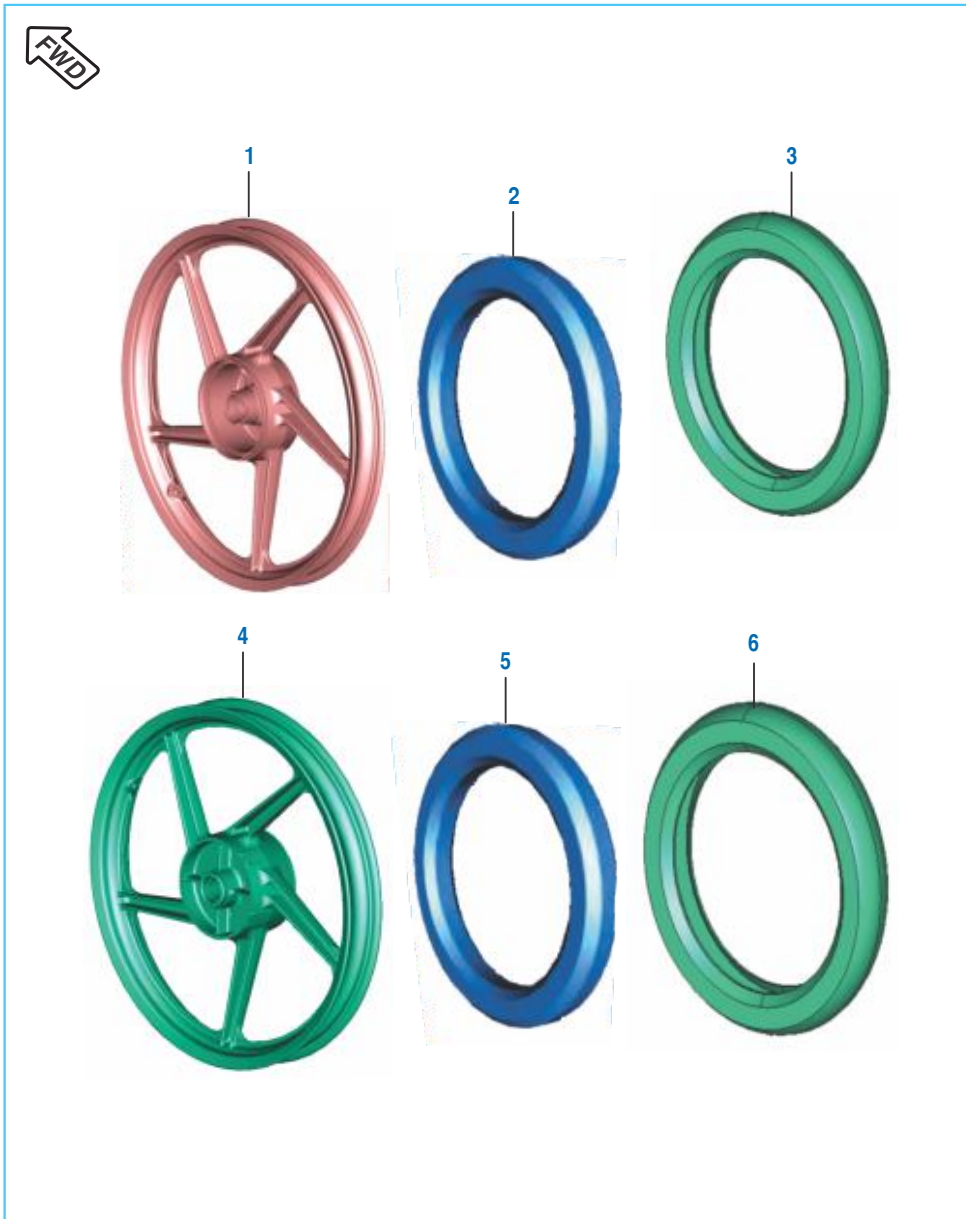
No.	Part No.	Description	Qty.	Remarks
1	39 2222 04	Flanged Bolt	4	
2	DJ 1610 68	Cable Guide	1	
3	DU 1610 98	Brace	1	
4	DU 1610 08	Fender Rear	1	
5	DM 1610 09	Fender Rear Front	1	
6	39 0711 11	Plain Washer	6	
7	39 0817 15	Hex. Nut Flanged	6	
8	DD 1610 51	Flap	1	
9	39 2483 04	Hex. Head Bolt Flange M6	6	
10	DD 1610 13	Grommet	1	

Stand Assembly



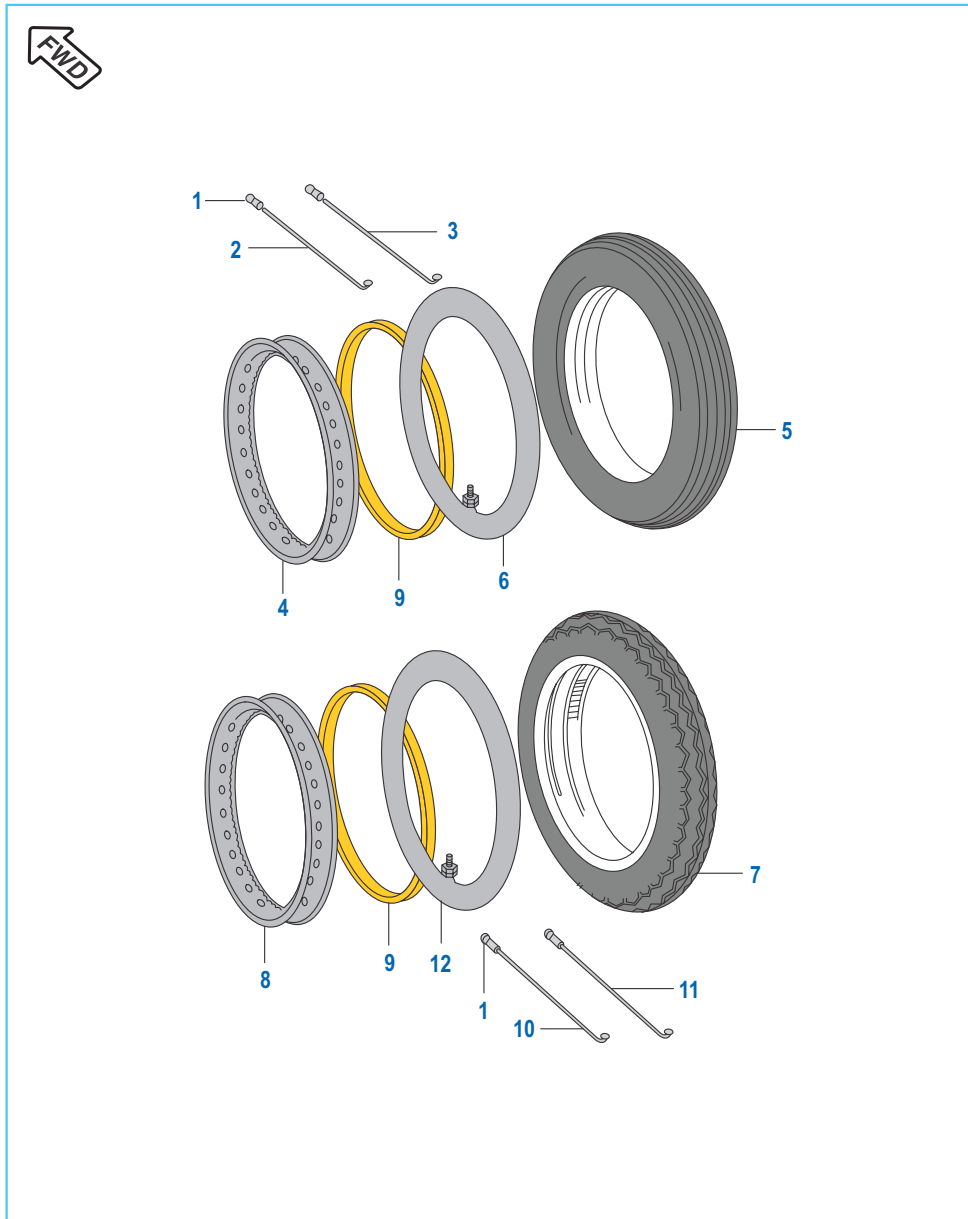
No.	Part No.	Description	Qty.	Remarks
1	DL 1610 48	Stand Side	1	
2	39 0422 15	Nyloc Nut	1	
3	DF 1611 02	Bolt	1	
4	30 1611 58	Spring	2	
5	30 1611 57	Shaft Center Stand	1	
6	DU 1610 32	Stand Centre / Damper	1	
7	39 0787 08	Pin Cotter	1	

Tube / Tyre / Rim (Alloy Wheels)



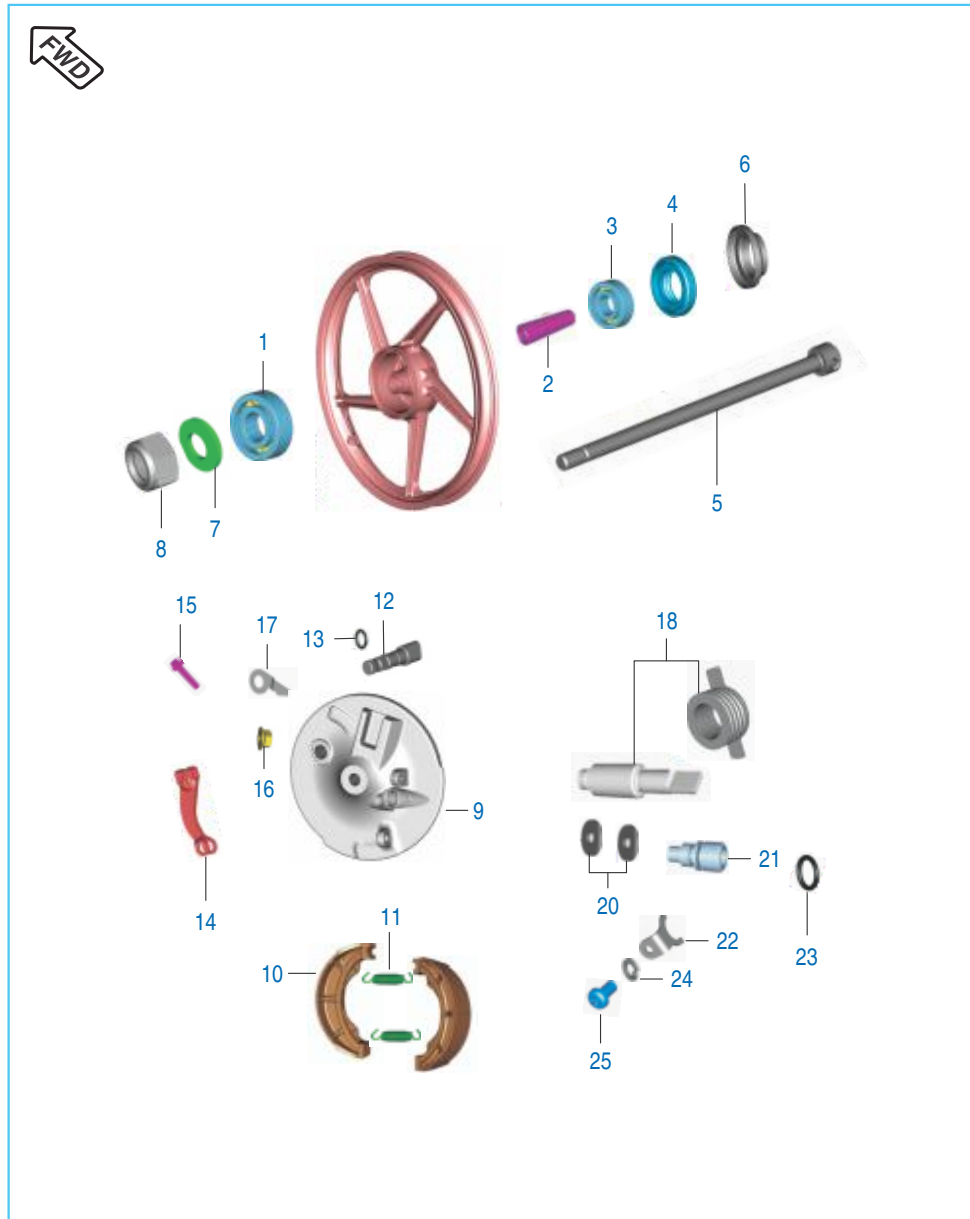
No.	Part No.	Description	Qty.	Remarks
1	JK 1310 26	Wheel Front 1.4X17	1	
2	DS 1510 49	Tube Front - 2.75 X 17	1	
3	DM 1510 25	Tyre Front - 2.75X17	1	
4	DU 1510 34	Wheel Rear 1.6X17	1	
5	DS 1510 53	Tube Rear 3 X 17	1	
6	DM 1510 28	Tyre Rear - 3 X17	1	

Tube / Tyre / Rim (For Spoke Wheel)



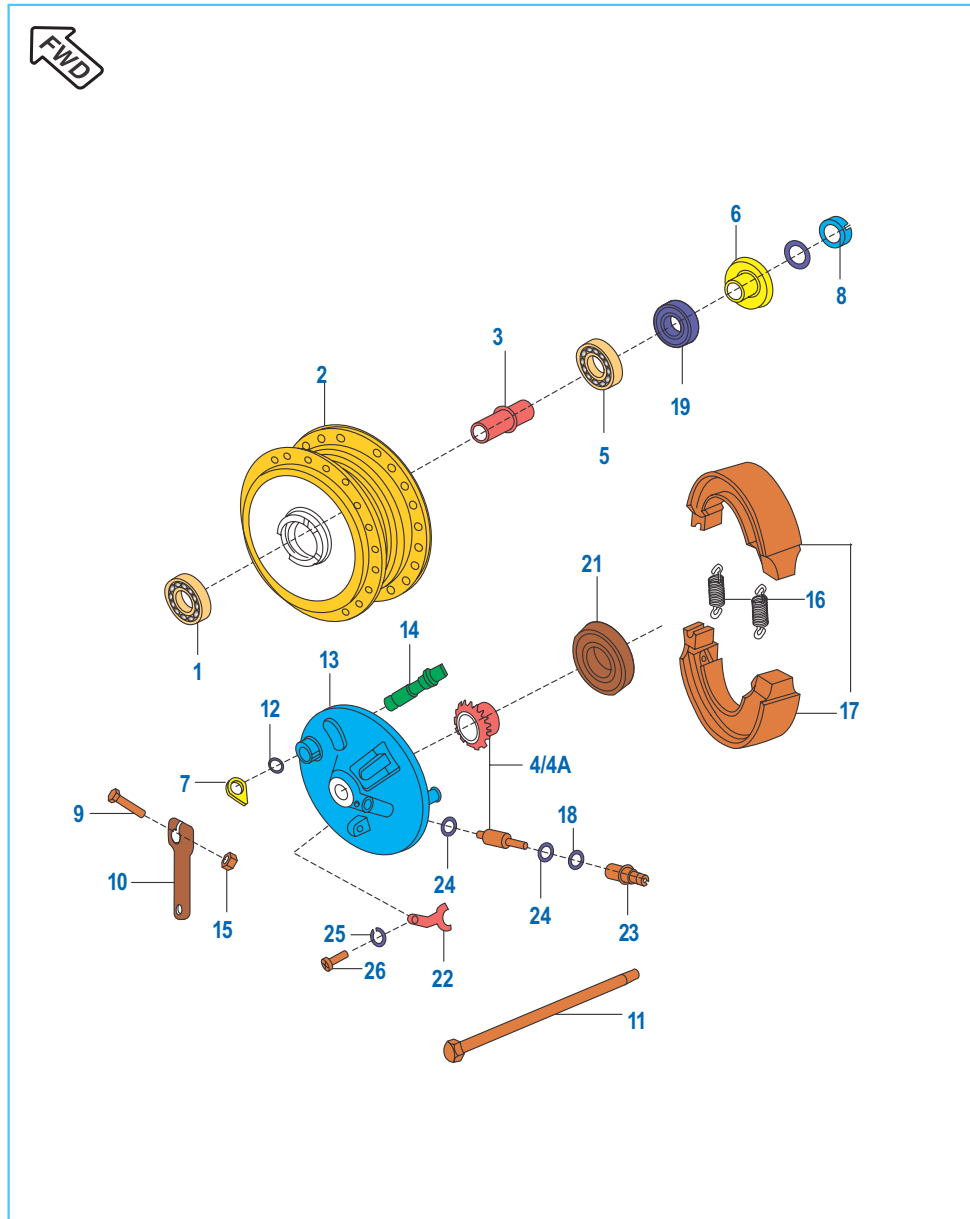
No.	Part No.	Description	Qty.	Remarks
1	16 1510 66	Nipple Spoke	72	
2	DU 1510 25	Spoke Inner Front	18	
3	DU 1510 26	Spoke Outer Front	18	
4	DM 1510 29	Wheel Rim Front (1.6 x 17)	1	
5	DM 1510 25	Tyre Front 2.75 X 17	1	
6	DS 1510 49	Tube Front 2.75 X 17	1	
7	DM 1510 28	Tyre Rear 3 X 17	1	
8	DU 1510 18	Wheel Rim Rear (1.85 x 17)	1	
9	DG 1510 22	Band Rim	2	
10	DU 1510 25	Spoke Inner Rear	18	
11	DU 1510 26	Spoke Outer Rear	18	
12	DS 1510 53	Tube Rear	1	

Front Hub (Alloy Wheels)



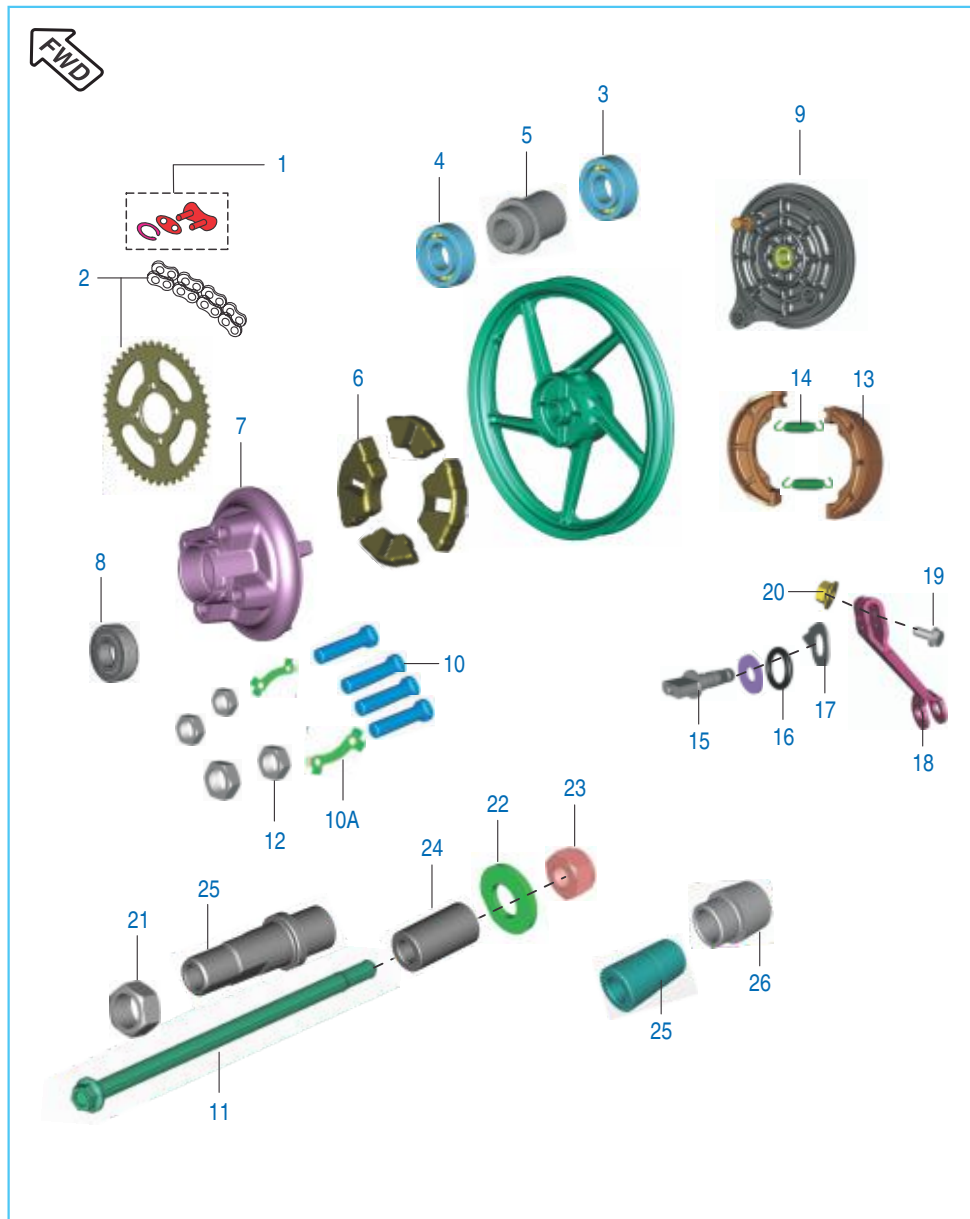
No.	Part No.	Description	Qty. (ES)	Remarks
1	39 2681 20	Bearing-Ball-C3 Clearance	1	
2	31 1510 04	Collar	1	
3	39 2680 20	Bearing-Ball-C3 Clearance	1	
4	14 1510 21	Seal - Oil 30 X 17 X 6	1	
5	DZ 1510 12	Axle Front	1	
6	DU 1510 05	Collar Assly	1	
7	39 0248 11	Washer - Plain	1	
8	DZ 1510 40	U Nut M10	1	
9	DZ 1510 27	Panel Front Brake	1	
10	31 1510 07	Shoe Brake	2	
11	30 1510 37	Spring	2	
12	31 1510 11	Cam Brake	2	
13	30 1510 38	O Ring	1	
14	DD 1510 08	Lever Brake Cam	2	
15	39 0775 04	Hex Head Bolt	1	
16	39 0798 15	Flanged Nut	1	
17	DD 1510 09	Wear Indicator	1	
18	36 DZ00 08	Kit Gear Meter	1	Refer Page No. 99
19	31 1510 14	Oil Seal	1	
20	30 1510 42	Washer A	2	
21	JA 1316 06	Bushing	1	
22	30 1511 18	Stopper For Bushing	1	
23	39 1013 21	O Ring	1	
24	39 0900 12	Washer Spring	1	
25	39 0840 01	Screw Pan Cross	1	

Front Hub (Spoke Wheels)



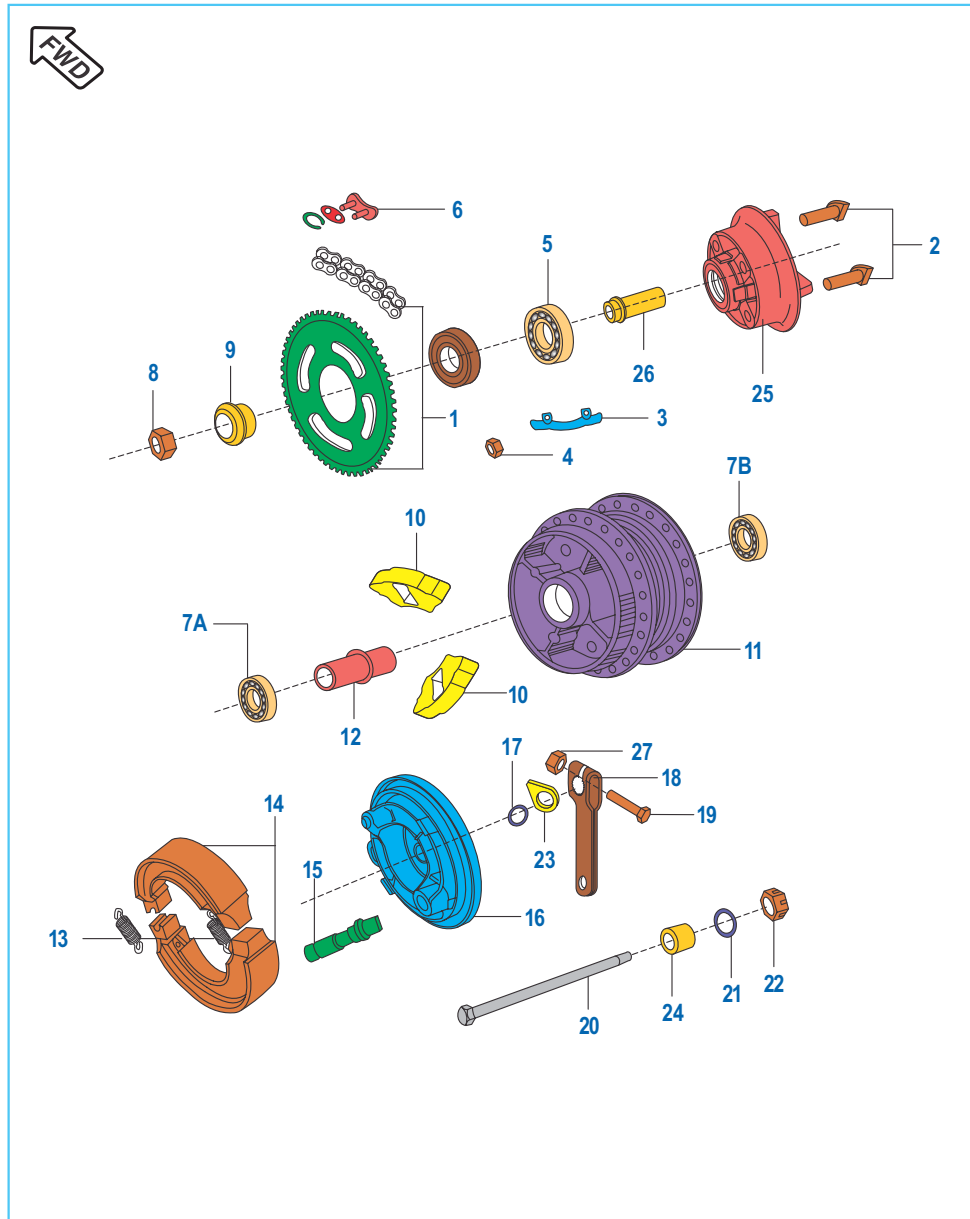
No.	Part No.	Description	Qty. (ES)	Remarks
1	39 2680 20	Ball Bearing	1	
2	DF 1510 03	Drum Front	1	
3	31 1510 04	Collar	1	
4	36 DZ00 08	Gear Meter Screw Kit	1	Refer Page No.99
5	39 2681 20	Ball Bearing	1	
6	DU 1510 05	Collar Axle Assly.	1	
7	DD 1510 09	Indicator Front	1	
8	DU 1510 31	Nut Hex. Slotted	1	
9	39 0775 04	Bolt	1	
10	DD 1510 08	Lever Brake Cam	1	
11	DZ 1510 12	Axle	1	
12	30 15 1038	Ring O	1	
13	DZ 1510 27	Panel Front Brake	1	
14	31 15 1011	Cam Brake	1	
15	39 0798 15	Flange Nut	1	
16	30 1510 69	Spring	2	
17	31 1510 60	Shoe Brake Assly.	2	
18	39 1013 21	Ring 'O'	1	
19	14 1510 21	Oil Seal	1	
20	KB CC05 14	Screw Counter (New Speedo Cable)	1	N.I.
21	31 1510 14	Oil Seal	1	
22	30 1511 18	Stopper for bushing	1	
23	JA 1316 06	Bushing	1	
24	30 1510 42	Washer	2	
25	39 0900 12	Spring Washer	1	
26	39 0840 01	Screw pan Cross	1	
27	39 1561 21	"O" ring (New Speedo Cable)	1	N.I.

Rear Hub (Alloy Wheels)



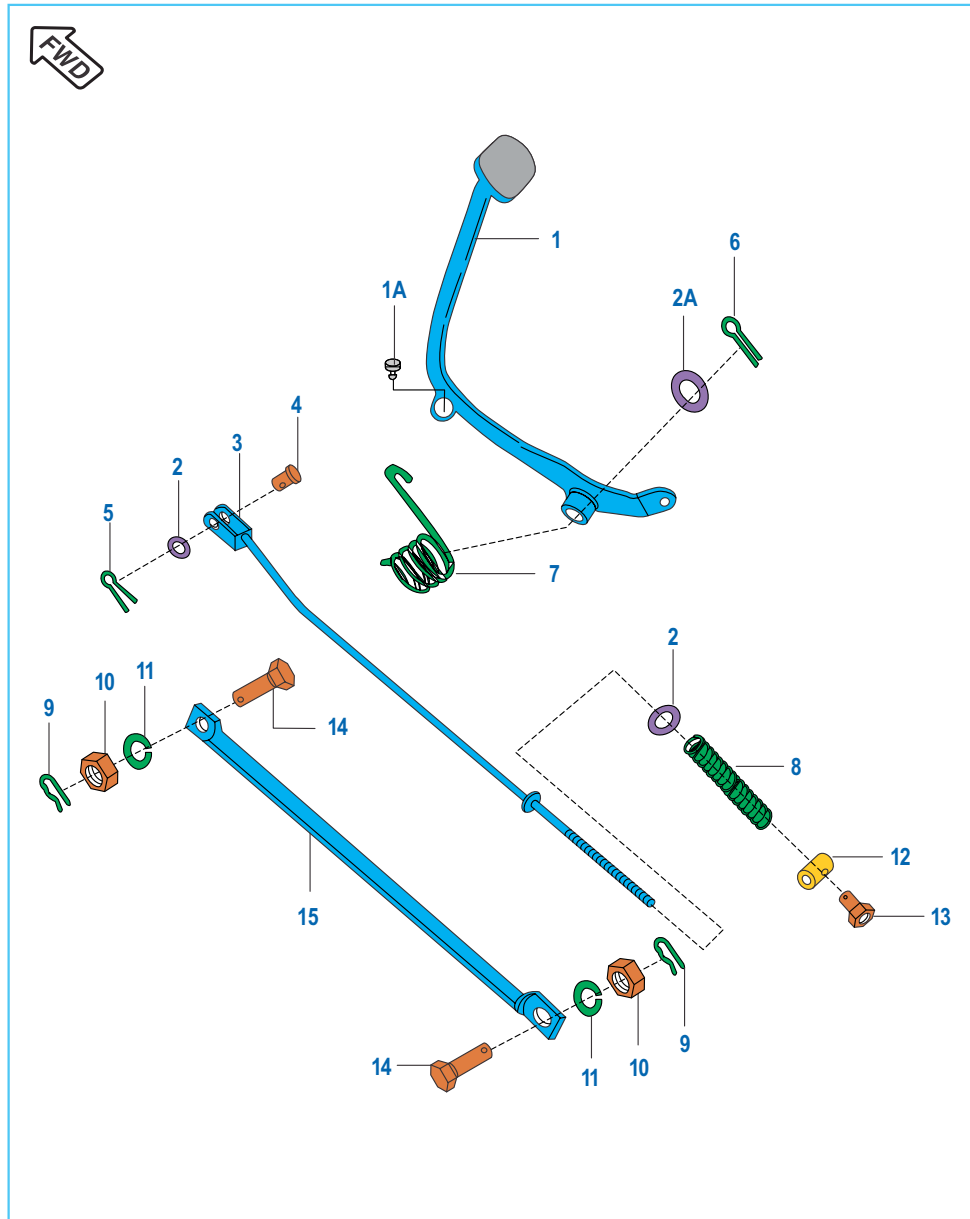
No.	Part No.	Description	Qty. (ES)	Remarks
1	DX 1510 81	Drive Chain Lock	1	Refer Page No. 100
2	36 DU40 17	Kit Chain Sprocket	1	
3	KP BB63 01	Bearing ball C3 Clearance	1	
4	KP BB62 01	Bearing ball C3 Clearance	1	
5	31 1510 18	Collar-Bearing	1	
6	31 1510 21	Coupling Rubber	4	
7	DU 1510 10	Coupling	1	
8	39 2240 20	Ball Bearing	1	
9	DZ 1510 45	Panel Rear Brake	1	
10	39 0978 04	D Bolt	4	
10A	31 1510 29	Washer	2	
11	DU 1510 29	Axle Rear	1	
12	39 0794 15	Nut U Flange	4	
13	31 1510 07	Shoe Brake Assly	2	
14	30 1510 69	Spring	2	
15	31 1510 23	Cam Brake Assly.	1	
16	30 1510 38	'O' Ring	1	
17	30 1510 05	Wear Indicator	1	
18	31 1510 37	Lever Cam Brake	1	
19	39 1074 04	Hex Bolt with Flange	1	
20	39 0798 15	Flange Nut	1	
21	39 0988 15	Hexagon Nut M18X1.5P	1	
22	39 0714 11	Washer Plain	1	
23	59 1500 03	Nut - U M12	1	
24	31 1510 26	Collar	1	
25	31 1510 28	Sleeve Coupling	1	
26	DU 1510 06	Collar	1	

Rear Hub (Spoke Wheels)



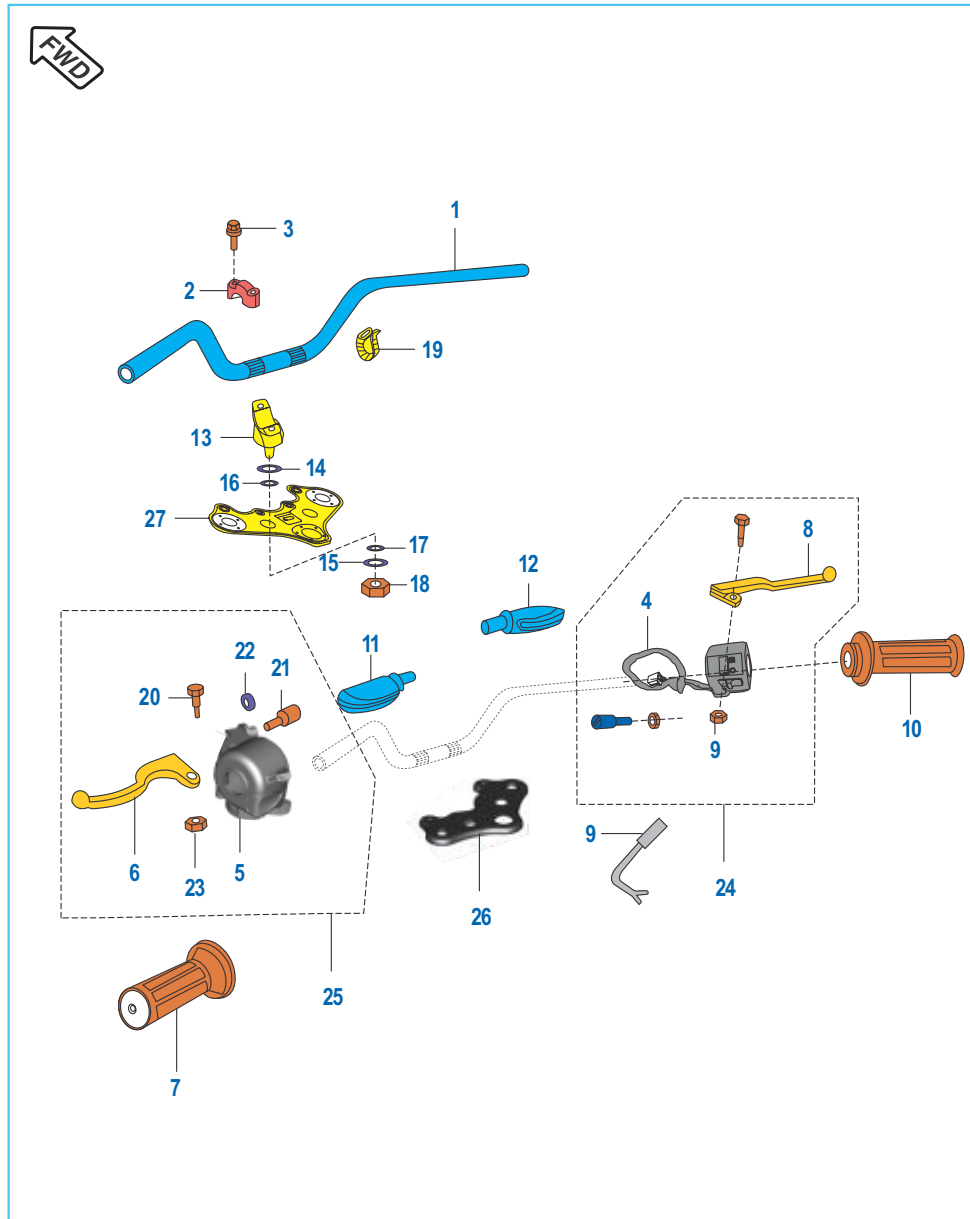
No.	Part No.	Description	Qty. (ES)	Remarks
1	36 DU40 17	Chain Sprocket Kit	1	Refer Page No.100
2	39 0978 04	'D' bolt	4	
3	31 15 1029	Washer	2	
4	39 0794 15	Nut Hex. Fine	4	
5	39 2240 20	Bearing Ball	1	
6	DX 1510 81	Drive Chain Connecting Link	1	
7A	39 2682 20	Bearing Ball 12X37X12-1RS/C3	1	
7B	39 1364 20	Bearing Ball 12 X 32 X 10RS1	1	
8	39 0988 15	Nut Hex.	1	
9	31 1510 30	Collar	1	
10	31 15 1021	Shock Damper	4	
11	DU 1510 09	Drum Rear	1	
12	31 1510 18	Collar Assly.	1	
13	30 15 1069	Spring	2	
14	31 1510 60	Shoe Brake Assly.	1	
15	31 1510 22	Brake Cam Assly.	1	
16	31 15 1024	Panel Rear Brake	1	
17	30 15 1038	Ring O	1	
18	31 15 1037	Lever Brake	1	
19	39 0775 04	Bolt	1	
20	DU 1510 29	Axle	1	
21	39 0714 11	Washer Plain	1	
22	59 1500 03	Nut Castle	1	
23	30 1510 05	Indicator	1	
24	31 1510 26	Collar	1	
25	31 1510 27	Coupling	1	
26	31 1510 28	Sleeve	1	
27	39 0798 15	Hex. nut	1	

Rear Brake Pedal



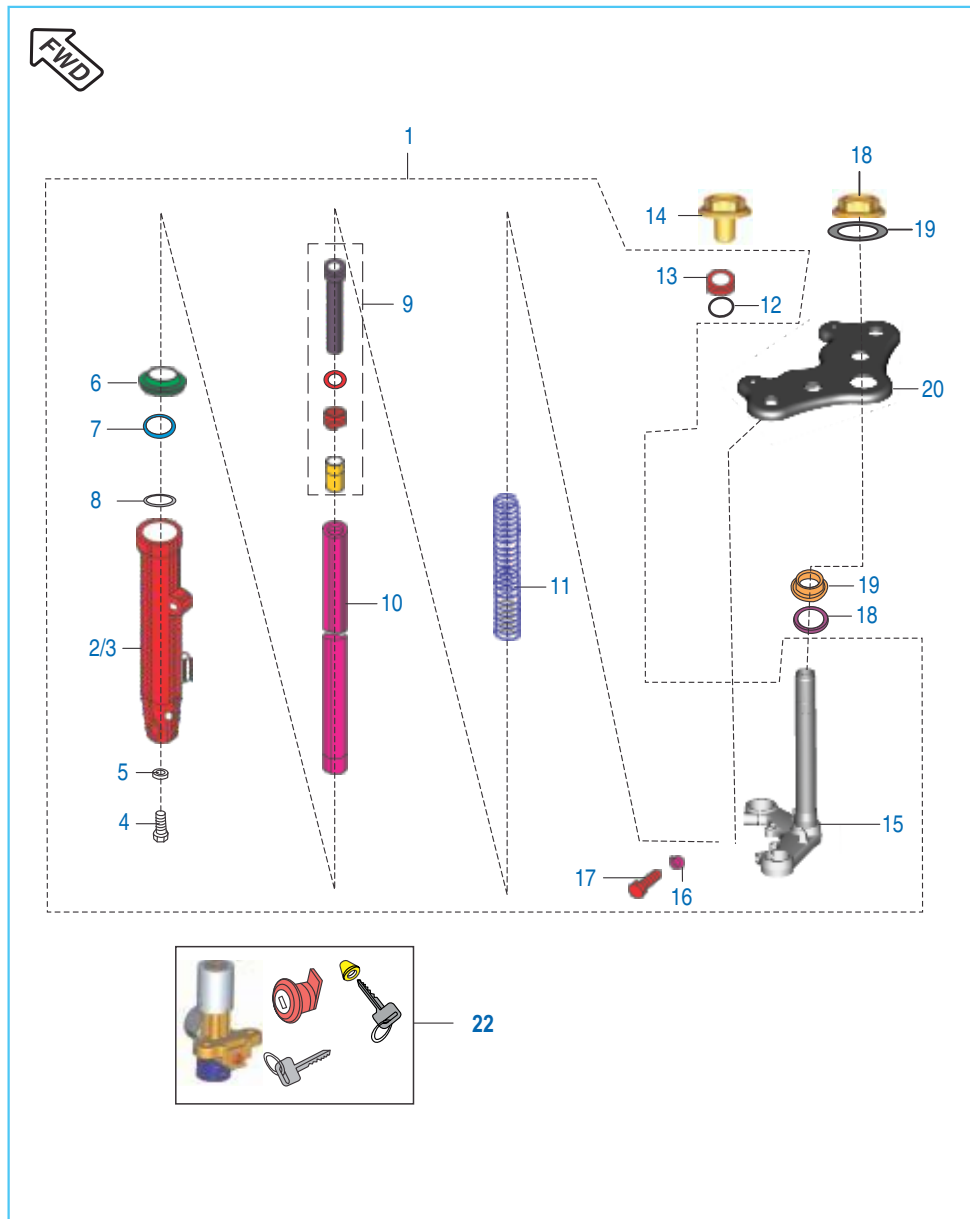
No.	Part No.	Description	Qty.	Remarks
1	DZ 1910 04	Lever Brake Tubular	1	
1A	DD 1610 78	Damper	1	
2	39 0198 11	Plain Washer	2	
2A	39 0805 11	Plain Washer	1	
3	DU 1910 30	Rod Brake	1	
4	30 1910 38	Pin	1	
5	39 0808 08	Split pin	1	
6	39 0797 08	Pin Cotter	1	
7	30 1910 31	Spring	1	
8	30 1910 35	Spring	1	
9	39 0807 08	Pin Snap	2	
10	39 0708 15	Nut Hex.	2	
11	39 0789 12	Washer Spring	2	
12	30 1910 37	Pin	1	
13	30 1910 36	Brake adjusting nut	1	
14	30 1510 95	Bolt	2	
15	DF 1510 16	Torque rod	1	

Handle Bar Assly



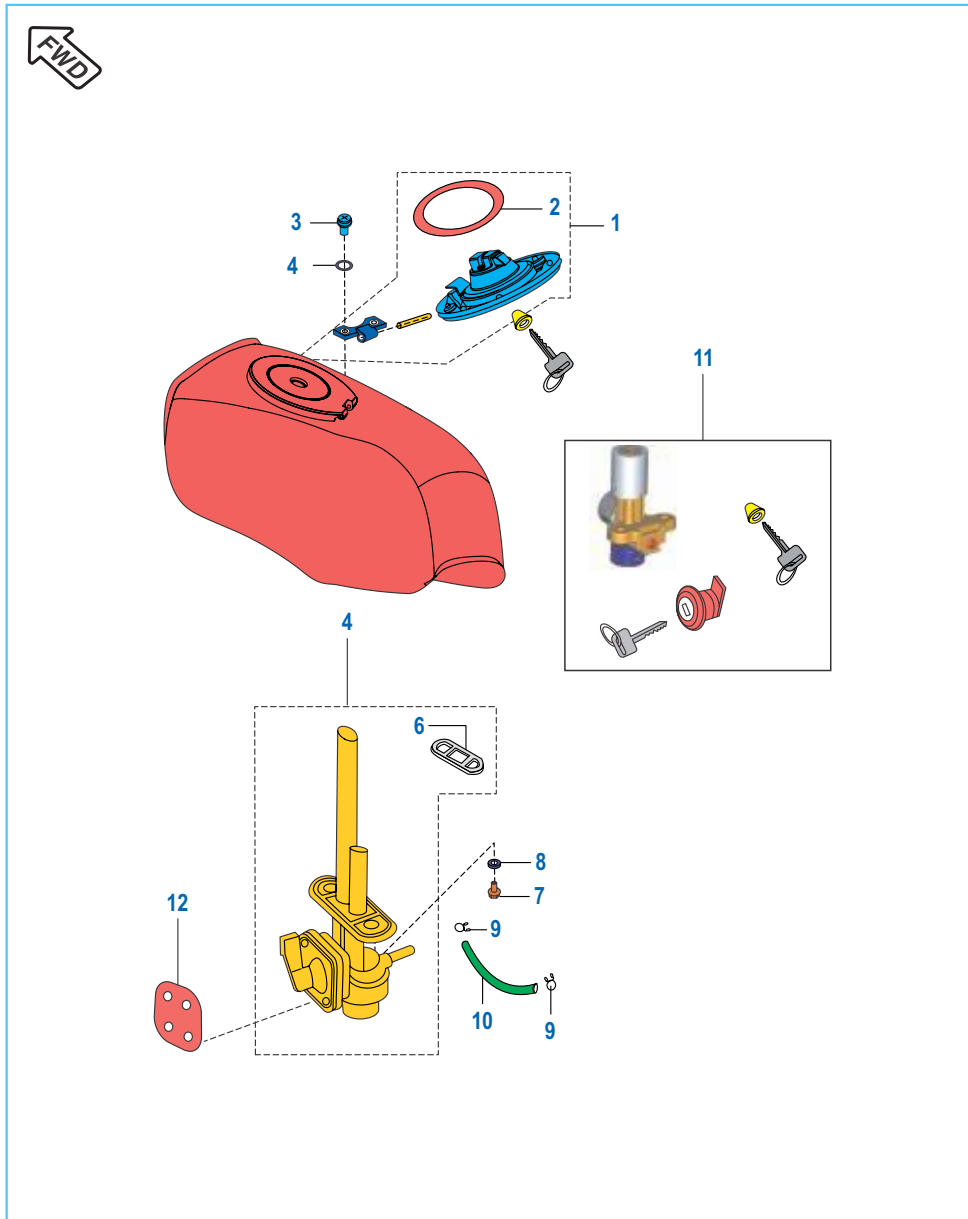
No.	Part No.	Description	Qty.	Remarks
1	DF 1811 17	Handle	1	
2	FD 1810 30	Holder Handle Upper	2	
3	39 1074 04	Flanged Bolt	4	
4	DF 2010 53	Control Switch RH	1	
5	DU 1910 34	Control Switch LH	1	
6	DU 1910 35	Lever grip - Left	1	
7	DF 1910 26	Grip - Left hand	1	
8	DF 1910 66	Lever grip - Right	1	
9	DD 2011 70	Front brake switch	1	
10	DF 1910 27	Grip assly RH	1	
11	DM 1910 14	Boot For Lever LH	1	
12	DM 1910 15	Boot For Lever RH	1	
13	FD 1810 31	Holder Handle Lower	2	
14	DF 1810 91	Damper Handle Upper	2	
15	DF 1810 92	Damper Handle Lower	2	
16	FD 1810 19	Washer Plain Upper	2	
17	FD 1810 20	Washer Plain Lower	2	
18	39 0422 15	Nylock Nut	2	
19	30 1910 48	Harness Band	2	
20	39 0830 01	Stud	2	
21	DD 1911 47	Adjusting Screw	2	
22	39 1910 17	Nut	2	
23	39 1184 15	Nut	2	
24	DU 1910 31	Lever Assly. grip RH	1	
25	DU 1910 33	Lever Assly. grip LH	1	
26	DD 1812 05	Holder Fork Upper	1	

Front Fork



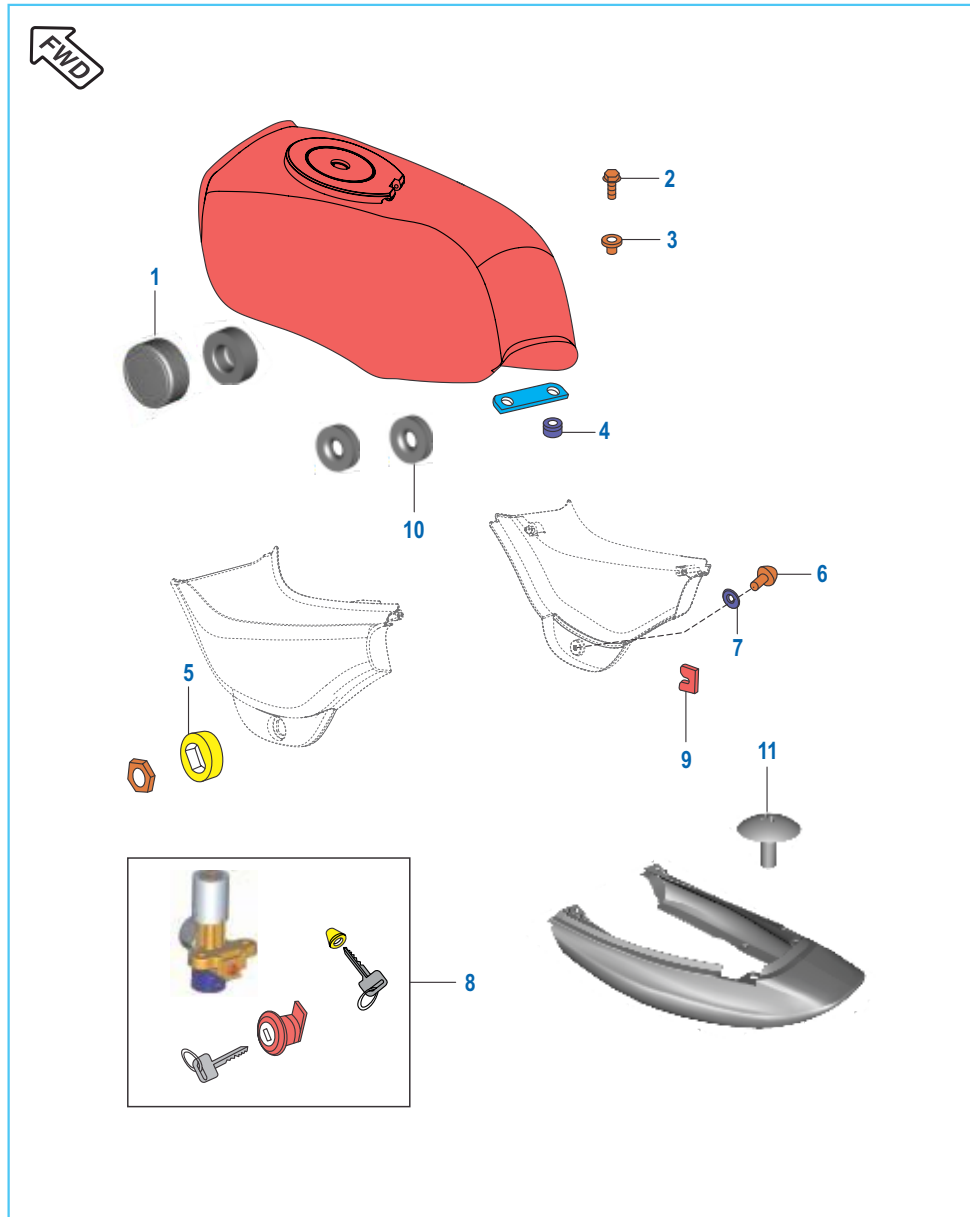
No.	Part No.	Description	Qty. (ES)	Remarks
1	DU 1810 67	Assly Front Fork	1	
2	DD 1810 10	Pipe Left Outer	1	
3	DD 1810 14	Outer Pipe RH	1	
4	30 1810 25	Bolt Socket Head	2	
5	30 1810 26	Gasket	2	
6	DD 1810 11	Seal Dust	2	
7	DL 1810 80	Seal Oil	2	
8	30 1810 23	Ring -Snap:Endu Sys	2	
9	30 1810 53	Cylinder Complete Fork -Drum	2	Refer Page No. 99
10	DM 1810 36	Pipe Complete-Suspension - Inner	2	
11	DE 1810 31	Spring Main	2	
12	30 1262 21	'O' Ring	2	
13	DF 1810 85	Bolt Fork	2	
14	59 0400 06	Hex Bolt	2	
15	DD 1812 06	Fork Under Bracket	1	
16	39 0789 12	Washer Spring	2	
17	39 1813 04	Bolt Hexagon Head M8X40	2	
18	FD 1810 12	Cap Nut Fork	1	
19	DF 1810 89	Washer - Plain	1	
20	DD 1812 05	Holder Fork Upper	1	
21	39 1943 04	Bolt Ignition Switch Mounting	2	
22	DU 1810 32	Lock set assly (3 in 1)	1	

Petrol Tank Cap & Fuel Cock



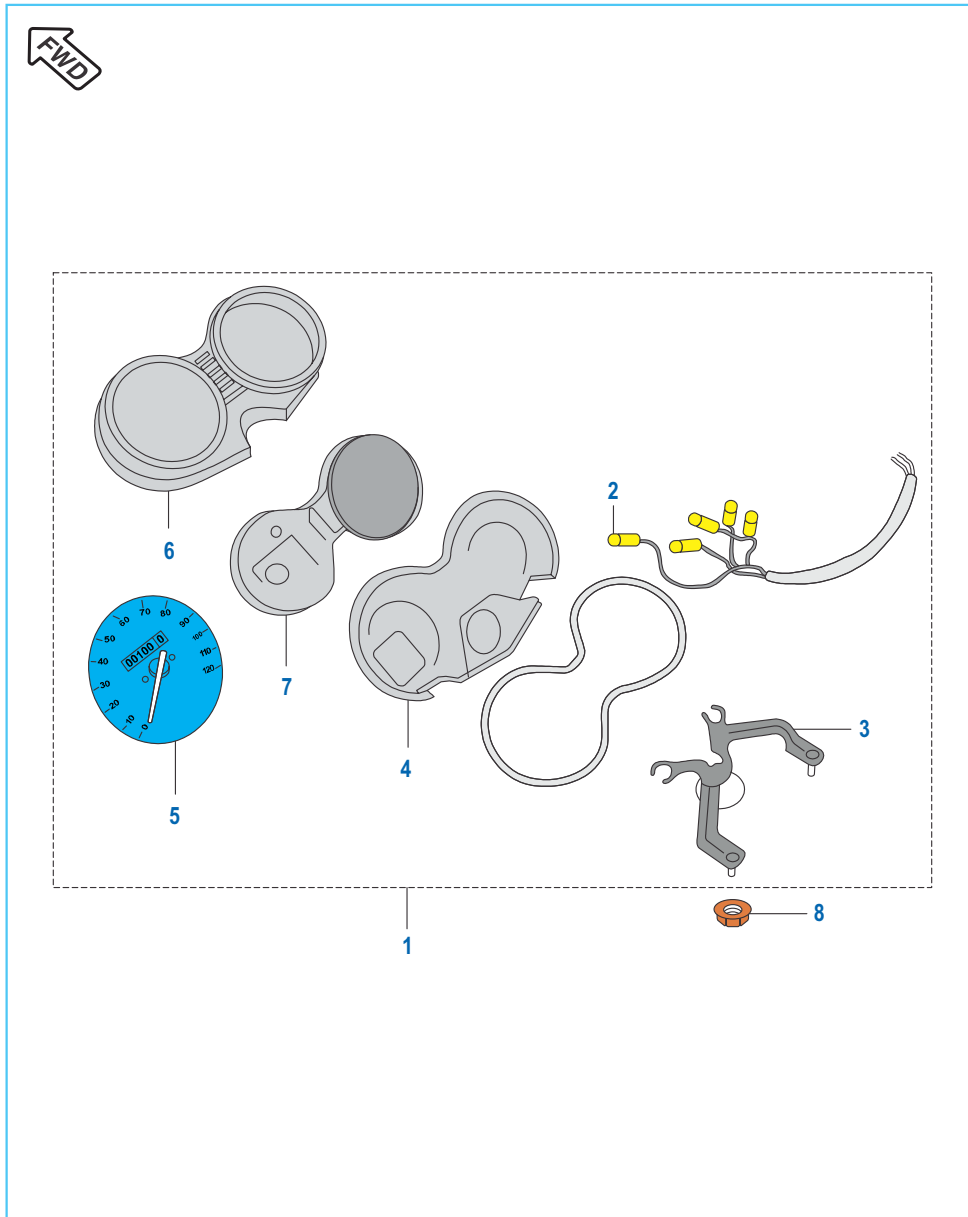
No.	Part No.	Description	Qty.	Remarks
1	DU 1410 61	Cap Assly. Tank	1	
2	30 1410 52	Packing (For Cap)	1	
3	39 0761 01	Screw Pan Cross	2	
4	39 2179 24	Washer	2	
5	DU 1410 95	Tap Assly.	1	
6	30 1410 39	Packing For Tap	1	
7	DD 1412 27	Bolt Flanged	2	
8	39 0740 11	Washer Non Metallic	2	
9	33 1410 08	Clamp Tube	2	
10	DU 1410 41	Tube Fuel	1	
11	DU 1810 32	Lock Assly. 3 IN 1	1	Refer Page No. 99
12	DZ 1410 75	Gasket 4 hole	1	

Fittings - Petrol Tank, Side Covers & Seat Cowl



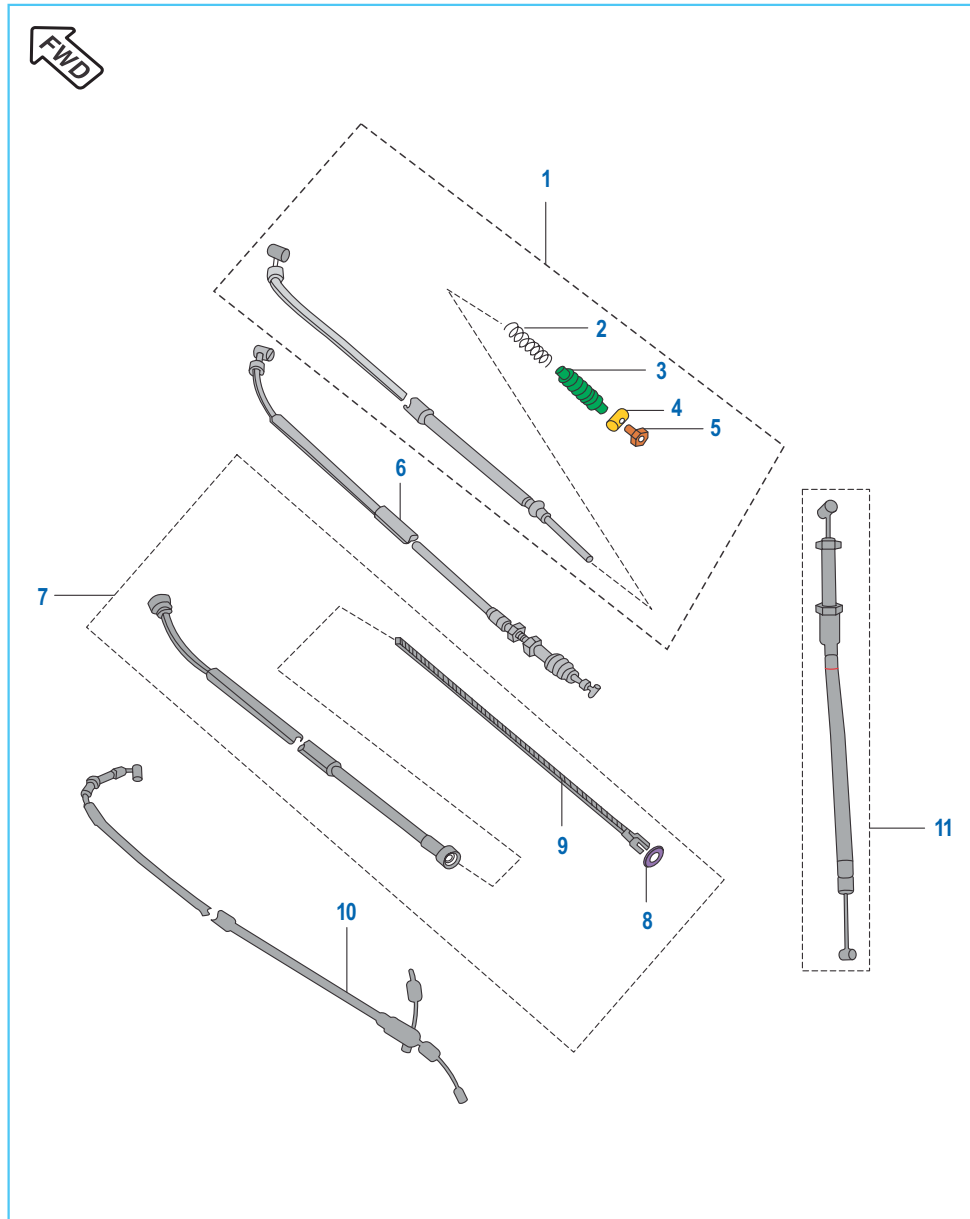
No.	Part No.	Description	Qty.	Remarks
1	DF 1411 28	Damper Fuel Tank Mounting	2	
2	39 1553 04	Flange Bolt	2	
3	DU 1410 27	Collar Assly.	2	
4	DG 1410 19	Damper	2	
5	31 1610 18	Damper	1	
6	39 1789 24	Washer Nylon	1	
7	DZ 1611 43	Screw	1	
8	DU 1810 32	Lock set assly (3 in 1)	1	Refer Page No. 99
9	DD 1610 22	Damper - cover side	2	
10	30 1611 69	Damper side cover mtg.	2	
11	DU 1611 19	Screw Steped	4	

Meter Assembly



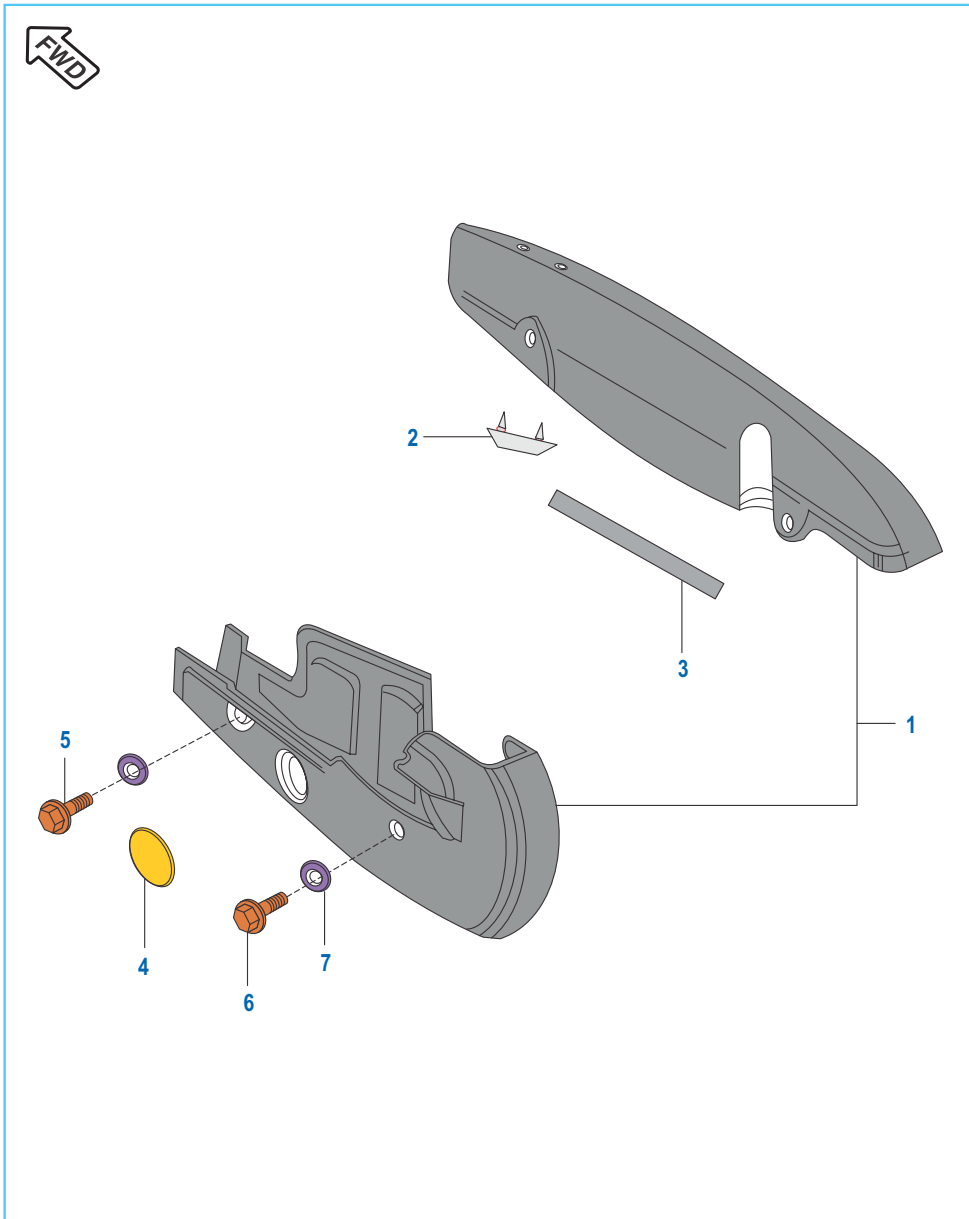
No.	Part No.	Description	Qty.	Remarks
1	DM 1910 09	Speedometer Asy.+Lamp W/O Fuel G	1	
2	DL 1910 20	Lamp 12V 3W (W/O Cap)	5	
3	DU 1910 29	Bracket Speedo Mtg.	1	Make-JCPPL
4	DU 1910 23	Cover Meter Lower Black	1	Make-JCPPL
5	DU 1910 25	Speedometer	1	Make-JCPPL
6	DU 1910 22	Cover case upper	1	Make-JCPPL
7	DU 1910 24	Cover (white) W/o Support Plate	1	Make-JCPPL
8	39 0798 15	Hex. Nut / Flange	2	

Control Cables



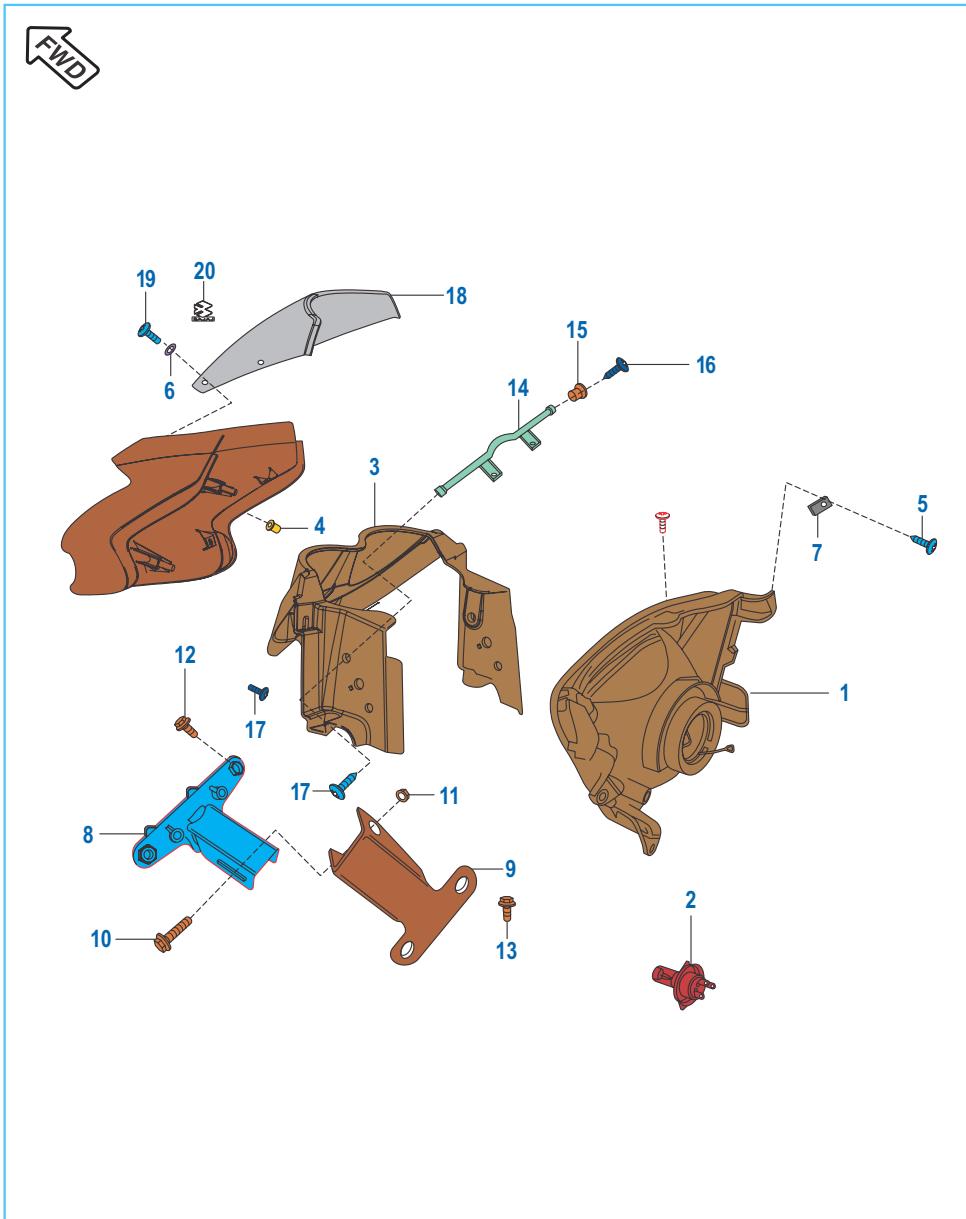
No.	Part No.	Description	Qty.	Remarks
1	DU 1910 41	Cable Brake (FR)	1	
2	30 19 1070	Spring	1	
3	30 19 1069	Dust Seal	1	
4	30 19 1071	Rod End	1	
5	30 19 1072	Adjusting Nut	1	
6	DM 1910 17	Cable Clutch	1	
7	DZ 1910 14	Cable Speedometer	1	
8	30 1910 67	Oil Seal	1	
9	DZ 1910 19	Inner Cable Speedo	1	
10	DM 1910 05	Cable Throttle	1	
11	DM 1910 02	Cable starter	1	

Chain Case



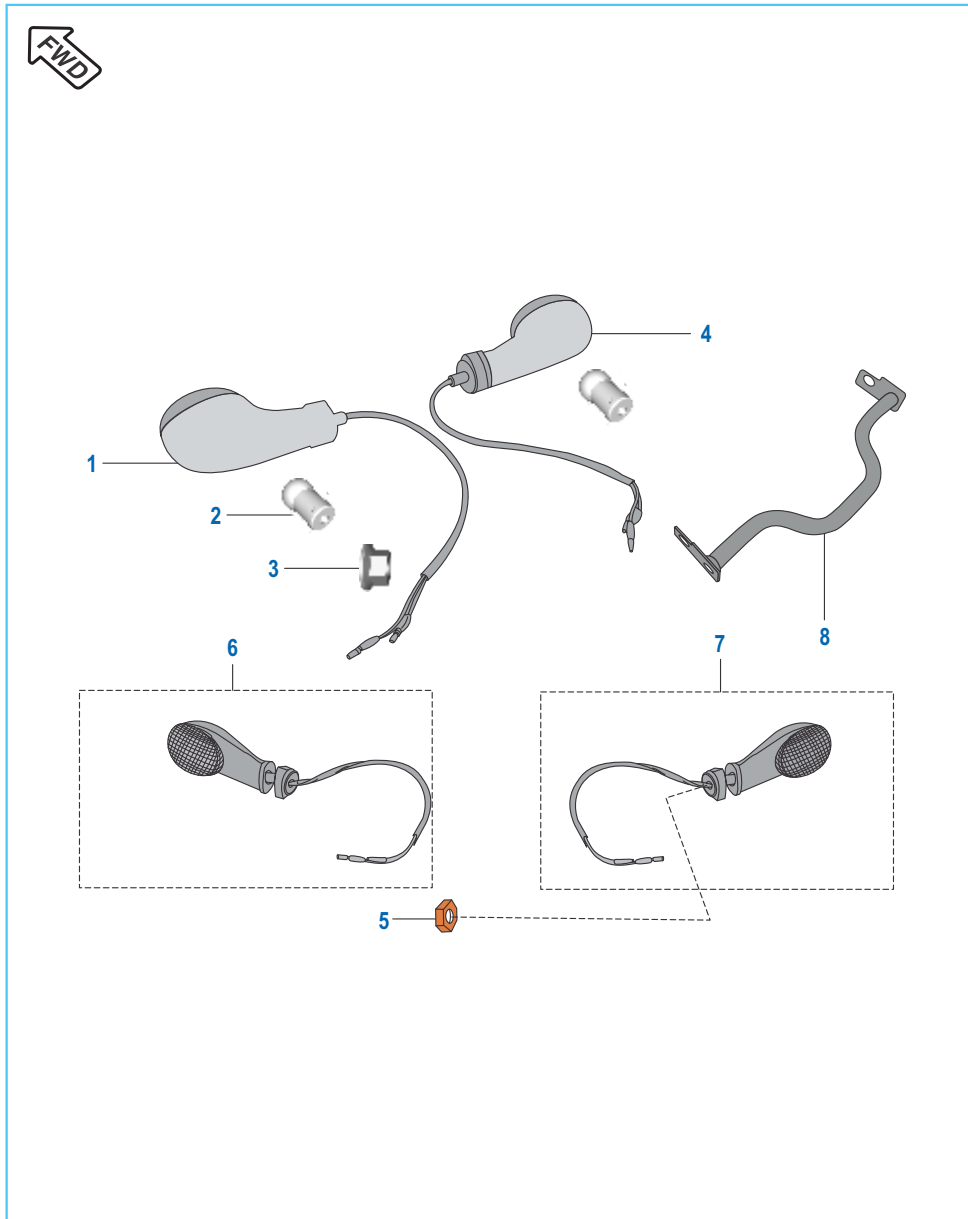
No.	Part No.	Description	Qty.	Remarks
1	36 DU40 04	Case Chain Kit	1	
2	30 16 1271	Rubber Pad	1	
3	DF 1614 15	Trim case chain	1	
4	DF1614 16	Rubber Cap	1	
5	39 2475 04	Hex Head Bolt With Flanged	2	
6	39 2473 04	Bolt Hexagonal Flanged	2	
7	39 1211 11	Washer Plain	2	

Head Lamp & Fairing



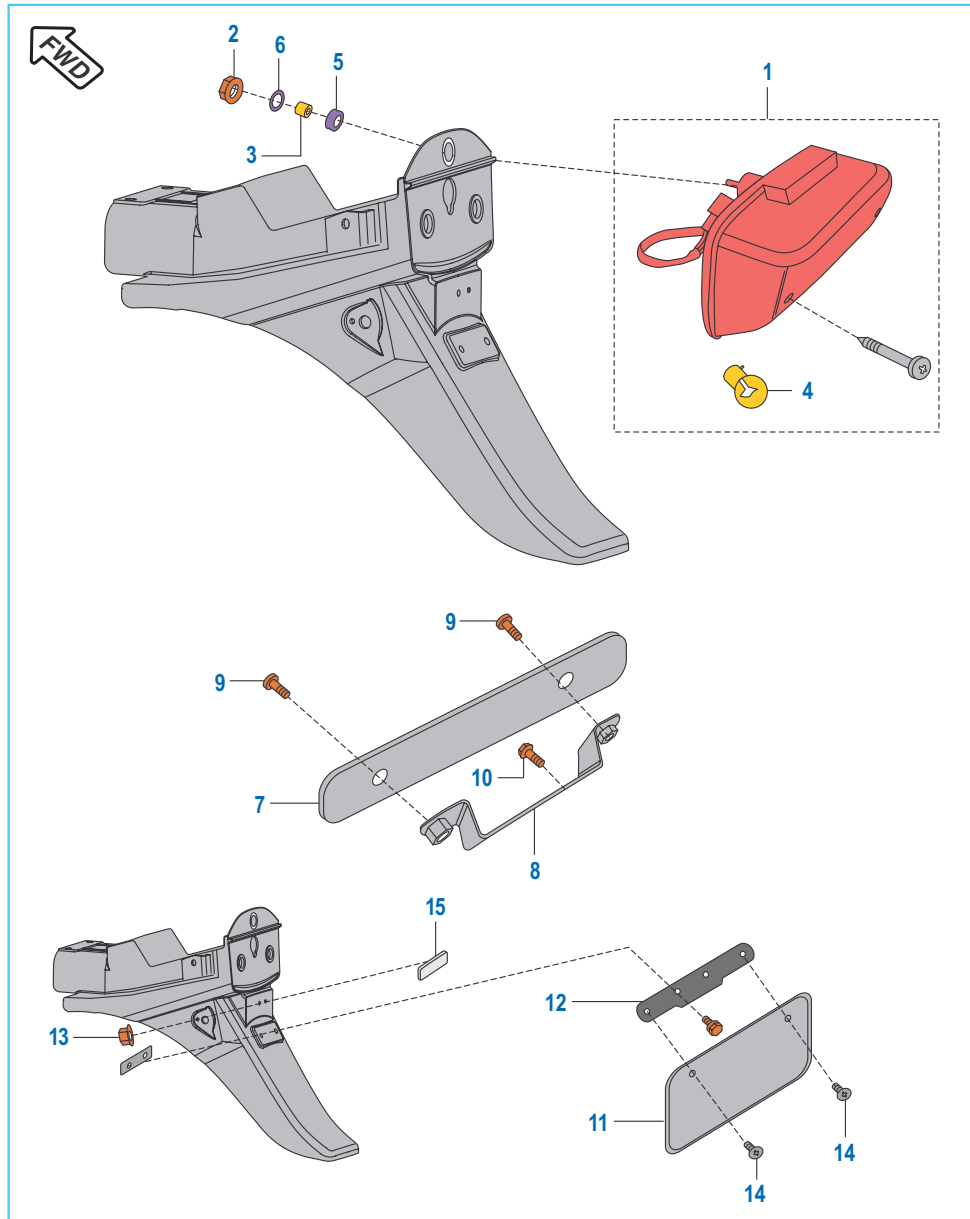
No.	Part No.	Description	Qty.	Remarks
1	DU 2011 08	Head Light Assy Without Bulb	1	
2	CL 2010 23	Lamp 12V-35/35W	1	
3	DU 1810 70	Flap Cowling	1	
4	DL 1810 10	Nut Well	4	
5	39 2587 01	Screw SS	5	
6	39 2141 24	Washer (Non metallic)	9	
7	35 1610 60	Clip Nut	5	
8	DD 1811 83	Bracket Cowling Lower	1	
9	DD 1811 84	Bracket Fork Lower	1	
10	39 1961 04	Bolt Flanged Small	1	
11	39 0817 15	Hex. Nut / Flange	1	
12	39 0745 01	Screw Pan Cross	2	
13	39 2473 04	Hex. Bolt / Flange	2	
14	DU 1810 47	Bracket Cowling Upper	1	
15	DD 1811 86	Collar	2	
16	39 2585 01	Screw	2	
17	39 0813 02	Cross Rec. Pan Hd. Tp Screw	4	
18	DU 1810 31	Wind Shield/Label	1	
19	DF 1810 98	Screw SS	4	
20	DD 1812 52	Label "BAJAJ"	1	

Indicator Light Assembly



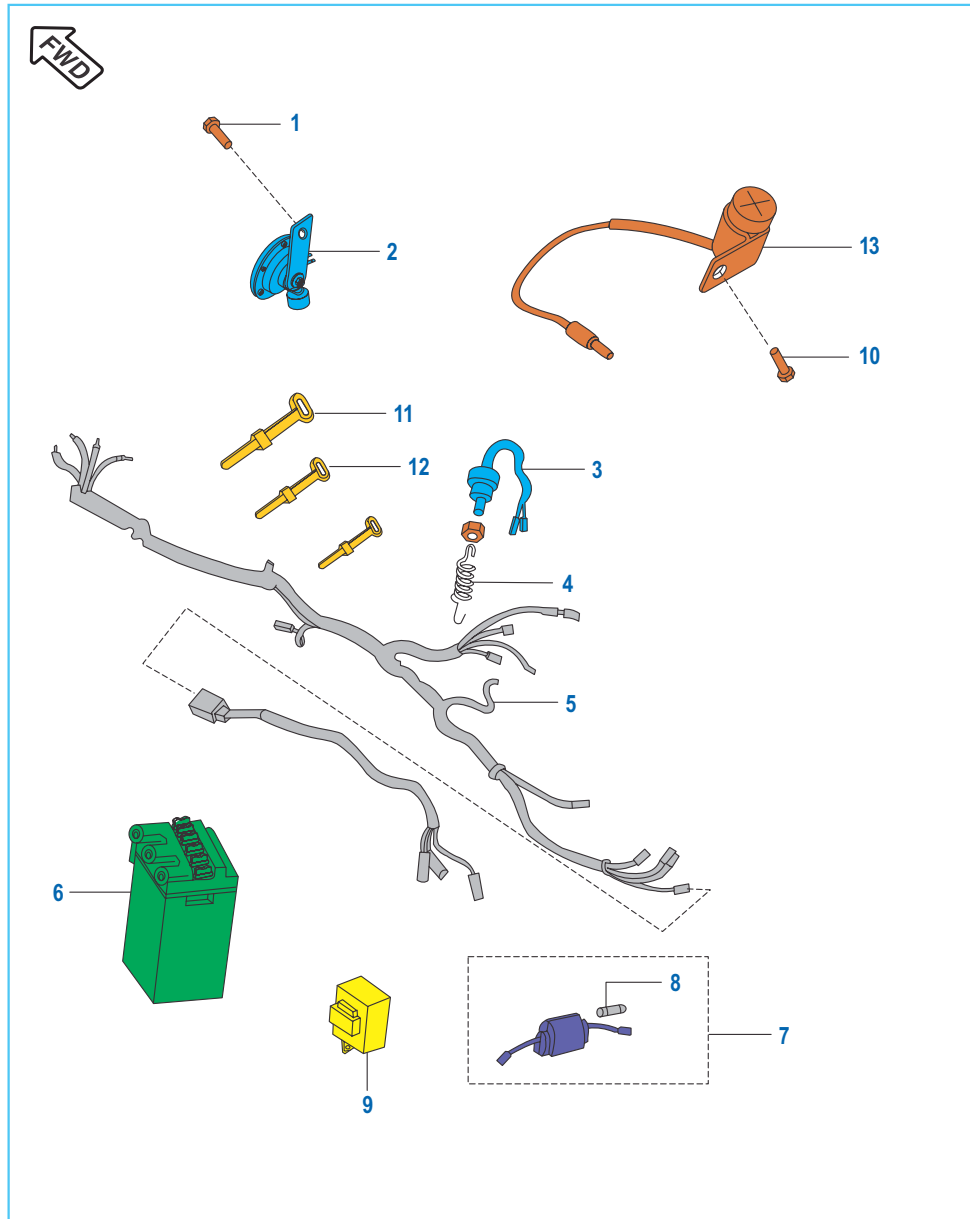
No.	Part No.	Description	Qty.	Remarks
1	DU 2010 08	FR LH Blinker Amber Lens	1	Front Indicator
2	06 2010 83	Lamp 12V-10W	4	
3	39 1225 15	Nut-Hex-Flanged	2	
4	DU 2010 10	FR RH Blinker Amber Lens	1	
5	KC GA10 10	Nut - Hex Flanged	2	Rear Indicator
6	DU 2010 12	RR LH Blinker Amber Lens	1	
7	DU 2010 14	RR RH Blinker Amber Lens	1	
8	DD 1811 92	Bracket Signal Mounting Front	1	

Tail Lamp Assly / Number Plate



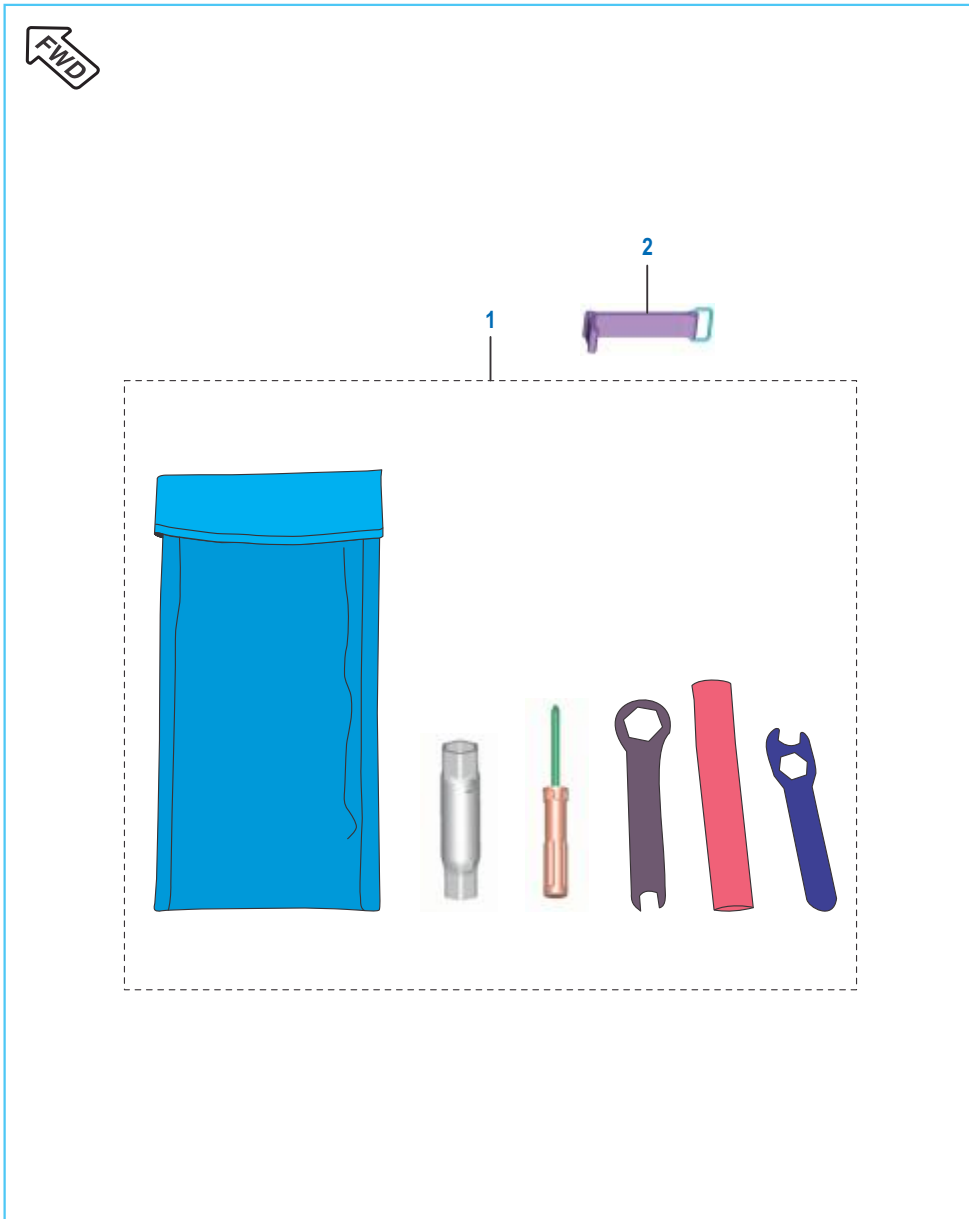
No.	Part No.	Description	Qty.	Remarks
1	DU 2010 23	Tail Light Assly. with Bulb	1	
	DU 2010 24	Tail Light Assly. without Bulb	1	
2	39 0817 15	Hex Nut / Flange	3	
3	31 2010 01	Collar	3	
4	30 2010 06	Lamp 12 V, 10/5W	1	
5	DD 2010 11	Damper	3	
6	39 0211 11	Plain Washer	3	
7	DP 1611 44	Front Number plate	1	
8	DD 1811 87	Bracket Front No. Plate	1	
9	39 1783 01	Truss Screw	2	
10	39 2473 04	Flanged bolt	2	
11	DP 1611 45	Number plate Rear	1	
12	DZ 1612 65	Bracket No. Plate	1	
13	KC GA05 05	Nut Hex Flanged	1	
14	39 2765 01	Truss Screw	2	
15	DD 2010 02	Reflector Reflex	1	

Electrical Equipments



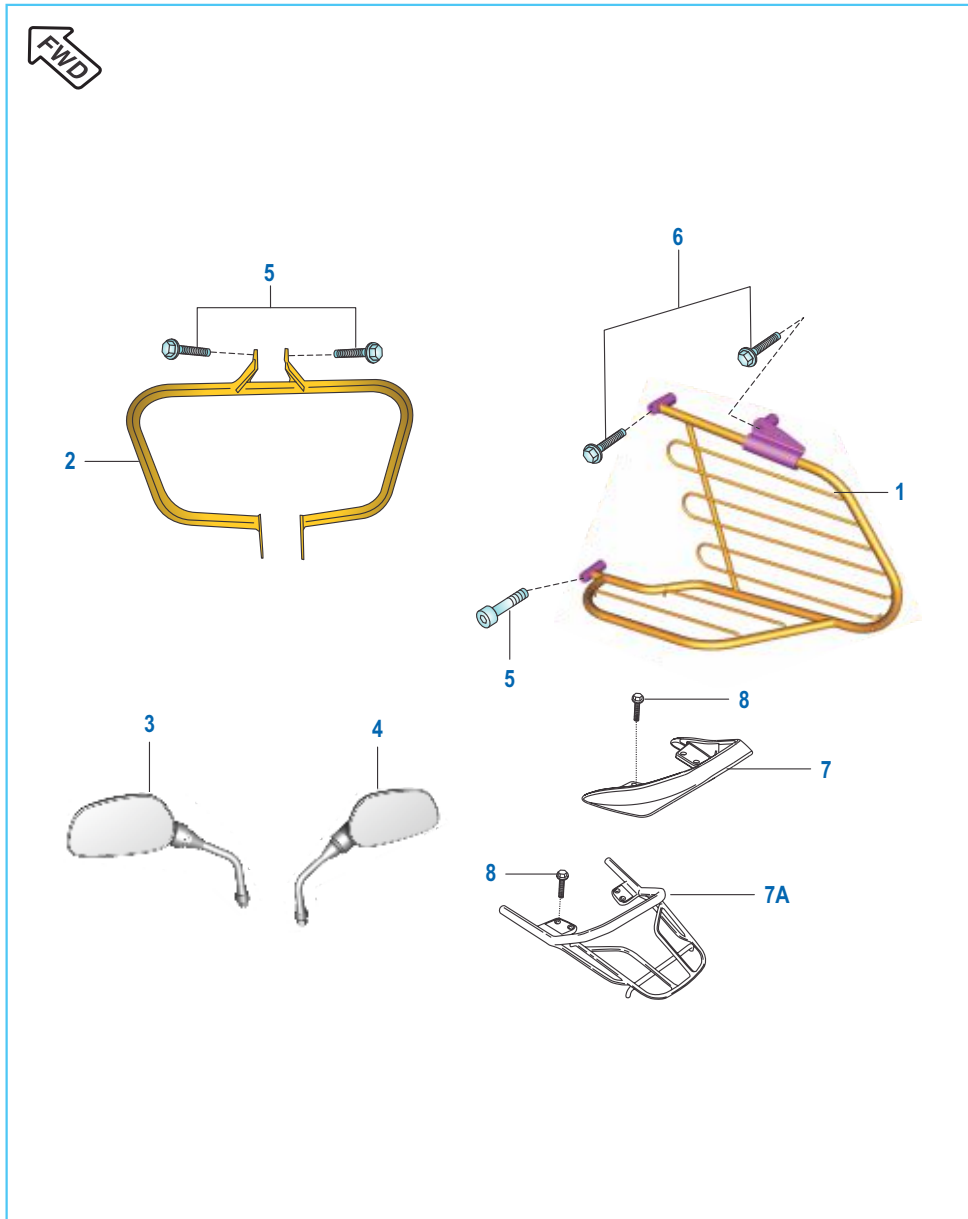
No.	Part No.	Description	Qty.	Remarks
1	39 1940 04	Flanged Bolt	1	
2	DZ 2010 38	Horn	1	
3	31 2010 79	Switch Rear Brake	1	
4	30 2010 74	Spring Brake Switch	1	
5	DU 2011 04	Wiring Harness	1	
6	31 2010 27	Battery	1	
7	DF 2011 29	Fuse - Assly.	1	
8	30 2010 85	Fuse, 15A	1	
9	DS 2010 25	Assy D C Flasher	1	
10	39 2473 04	Hex Head Bolt / Flange	1	
11	31 2010 09	Band	1	
12	30 2010 64	Band	4	
13	DU 2010 63	Capacitor	1	

Tool Kit



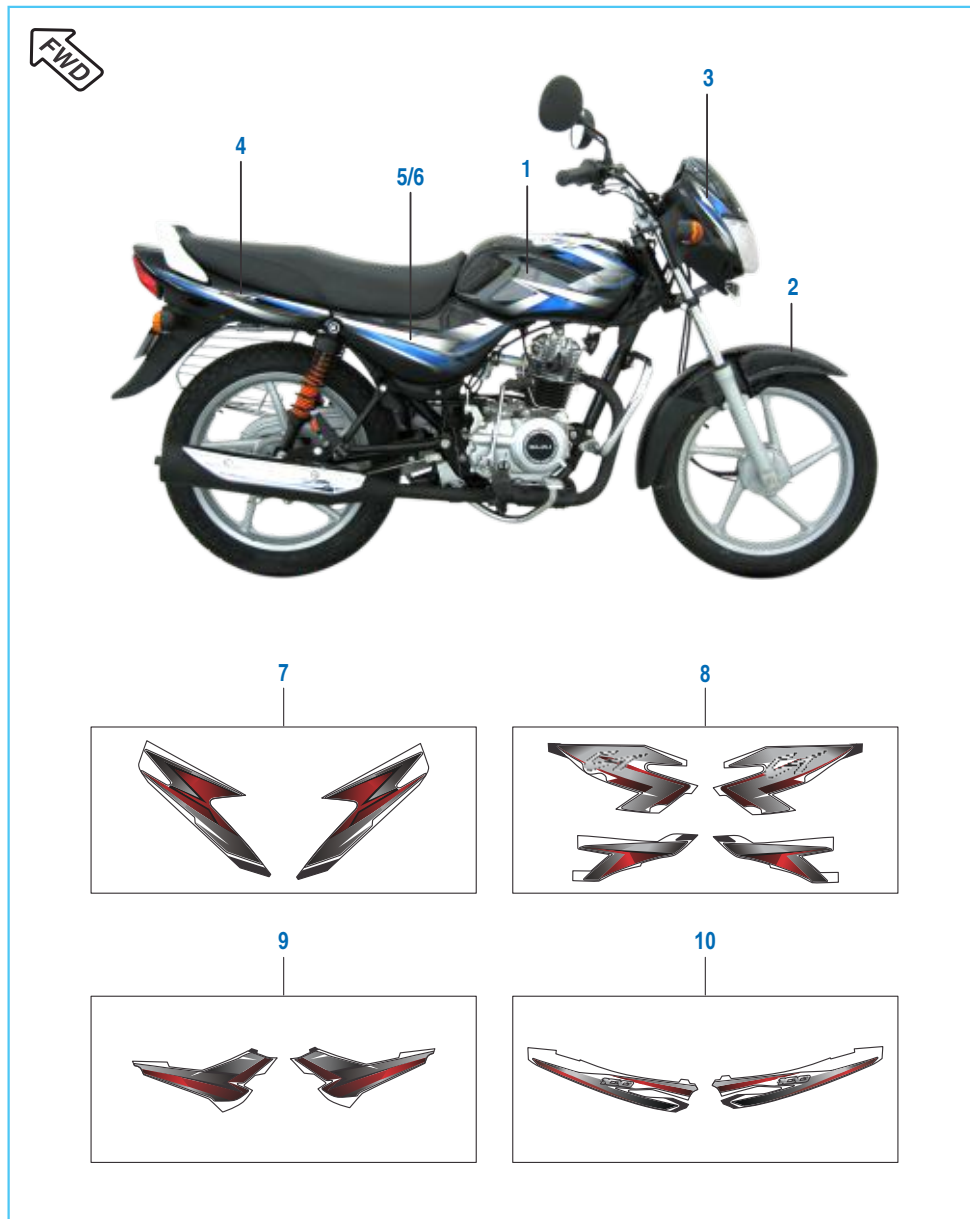
No.	Part No.	Description	Qty.	Remarks
1	PA 2310 02	Tool Kit	1	
2	DM 2210 01	Band For Tool Kit	1	

Accessories / Grab Handle



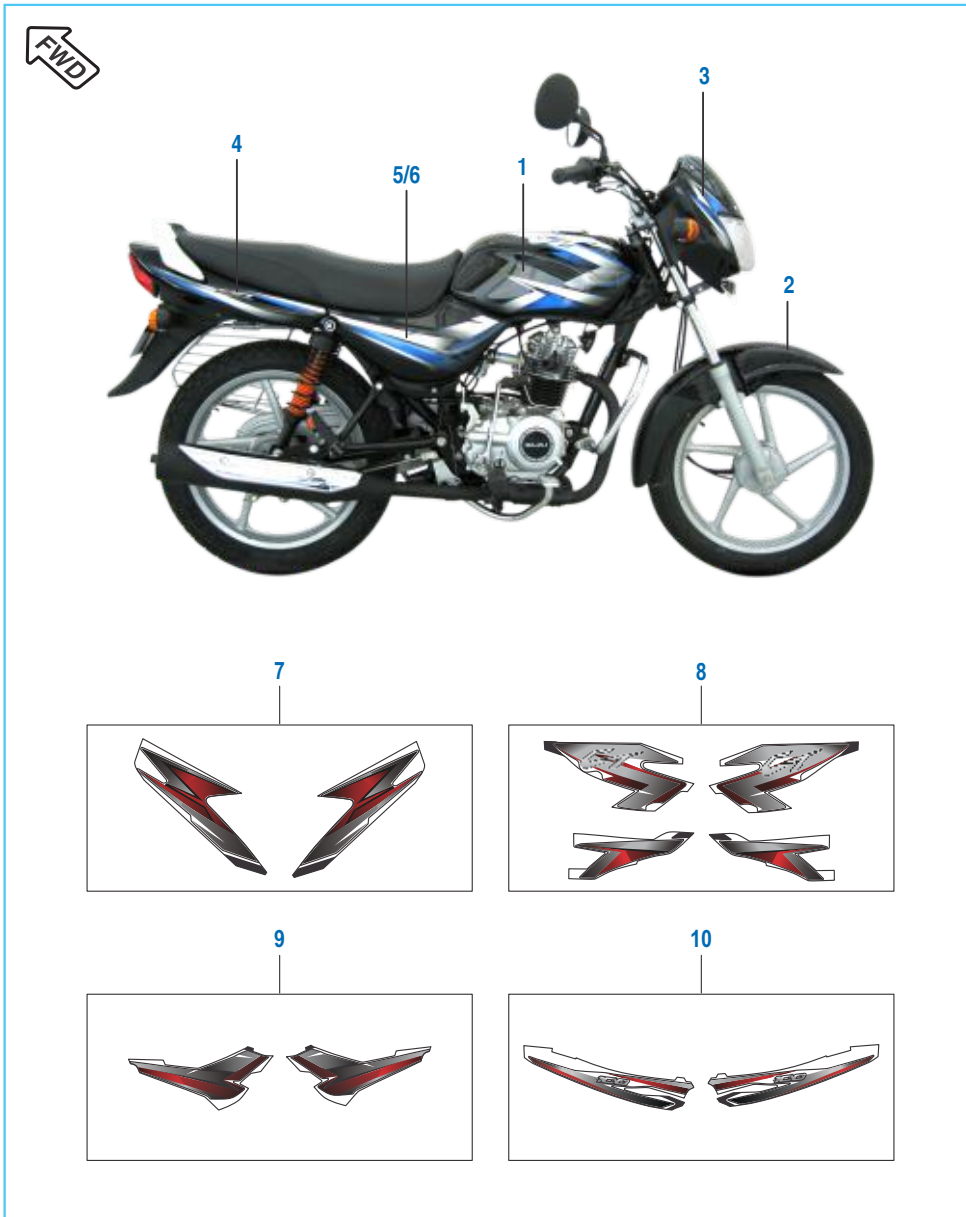
No.	Part No.	Description	Qty.	Remarks
1	DU 2210 02	Sari Guard	1	
2	DZ 2210 03	Leg Guard	1	
3	DJ 2210 03	Mirror LH	1	
4	DJ 2210 04	Mirror RH	1	
5	39 1814 04	Bolt - Flanged	1	
6	39 1608 04	Bolt - Hex. Socket Head M 10 x 1.5	2	
7	DU 2210 01	Grip Frame Die Cast	1	Alloy Wheels
7A	DU 2210 04	Grip Frame Tubular	1	Spoke Wheels
8	39 1940 04	Bolt Flanged	4	
9	DU 2210 05	Plug	2	Spoke Wheels

Painted Parts and Decals



No.	Part No.	Description	Qty.	Remarks
1	52 DU06 34	Fuel Tank Black Red With Dcl	1	Common for Red & Blue dcl vehicles
	52 DU06 35	Fuel Tank Flame Red With Dcl	1	
	52 DU06 36	Fuel Tank E.Blue With Dcl	1	
	52 DU06 37	Fuel Tank Black Blue With Dcl	1	
2	52 DU02 89	Front Fender Black	1	
	52 DU02 90	Front Fender Flame Red	1	
	52 DU05 50	Front Fender EI Blue	1	
3	52 DU05 75	Fairing Black With Red Dcl	1	
	52 DU05 76	Fairing Flame Red With Decal	1	
	52 DU05 77	Fairing EI Blue Wh Decal	1	
	52 DU05 78	Fairing Black With Blue Dcl	1	
4	52 DU06 22	Seat Cowl Black With Red Dcl	1	
	52 DU06 23	Seat Cowl Flame Red With Dcl	1	
	52 DU06 24	Seat Cowl E Blue With Dcl	1	
	52 DU06 25	Seat Cowl Black With Blue Dcl	1	
5	52 DU06 26	Side Cover LH Black With Red Dcl	1	
	52 DU06 27	Side Cover LH Flame Red Dcl	1	
	52 DU06 28	Side Cover LH Ele Blue With Dcl	1	
	52 DU06 29	Side Cover LH Black With Blue Dcl	1	
6	52 DU06 30	Side Cover RH Black With Red Dcl	1	
	52 DU06 31	Side Cover LH Flame Red Dcl	1	
	52 DU06 32	Side Cover LH Ele Blue With Dcl	1	
	52 DU06 33	Side Cover LH Black With Blue Dcl	1	
7	36 DU40 33	Kit Fairing Dcl Black With Red	1	
	36 DU40 34	Kit Fairing Dcl Flame Red	1	
	36 DU40 36	Kit Fairing Dcl Electron Blue	1	
	36 DU40 37	Kit Fairing Dcl Black With Blue	1	

Painted Parts and Decals



No.	Part No.	Description	Qty.	Remarks
8	36 DU40 38	Kit Tank Decal Black - Red	1	
	36 DU40 39	Kit Tank Decal Flame Red	1	
	36 DU40 40	Kit Tank Decal Electron Blue	1	
	36 DU40 41	Kit Tank Dcl Black With Blue	1	
9	36 DU40 42	Kit S Cover Decal Black - Red	1	
	36 DU40 43	Kit S Cover Decal Flame Red	1	
	36 DU40 44	Kit S Cover Decal Electron Blue	1	
	36 DU40 45	Kit S Cover Dcl Black With Blue	1	
10	36 DU40 46	Kit Seat Cowl Decal Black - Red	1	
	36 DU40 47	Kit Seat Cowl Decal Flame Red	1	
	36 DU40 48	Kit Seat Cowl Decal Electron Blue	1	
	36 DU40 49	Kit Seat Cowl Dcl Black With Blue	1	

Kit List



Sr No	Kit Part No.	Kit Description	Consisting of Following Parts		
			Part No.	Description	Qty/Kit
1.	36DU4033	DCL Cowling BI-Red	DU181089	Cowling Decal-LH Black Red	1
			DU181090	Cowling Decal-RH Black Red	1
2.	36DU4034	DCL Cowling FI-Red	DU181091	Cowling Decal-LH Flame Red	1
			DU181092	Cowling Decal RH Flame Red	1
3.	36DU4036	DCL Cowling EI-Blue	DU181093	Cowling Decal-LH Electric Blue	1
			DU181094	Cowling Decal-RH Electric Blue	1
4.	36DU4037	DCL Cowling BI-Blue	DU181096	Cowling Decal LH Black Blue	1
			DU181097	Cowling Decal RH Black Blue	1
5.	36DU4038	DCL Tank BI-Red	DU141248	Tank Decal Upper LH Black Red	1
			DU141249	Tank Decal Upper RH Black Red	1
			DU141234	Tank Decal Lower LH Black Red	1
			DU141235	Tank Decal Lower RH Black Red	1
6.	36DU4039	DCL Tank FI-Red	DU141250	Tank Decal Upper LH Flame Red	1
			DU141251	Tank Decal Upper RH Flame Red	1
			DU141238	Tank Decal Lower LH Flame Red	1
			DU141239	Tank Decal Lower RH Flame Red	1
7.	36DU4040	DCL Tank EI-Blue	DU141252	Tank Decal Upper LH Electric Blue	1
			DU141253	Tank Decal Upper RH Electric Blue	1
			DU141242	Tank Decal Lower LH Electric Blue	1
			DU141243	Tank Decal Lower RH Electric Blue	1
8.	36DU4041	DCL Tank BI-Blue	DU141254	Tank Decal Upper LH Black Blue	1
			DU141255	Tank Decal Upper RH Black Blue	1
			DU141246	Tank Decal Lower LH Black Blue	1
			DU141247	Tank Decal Lower RH Black Blue	1
9.	36DU4042	DCL S Cover-BI Red	DU161239	Cover Side Decal LH Black Red	1
			DU161240	Cover Side Decal RH Black Red	1
10.	36DU4043	DCL S Cover-FI Red	DU161241	Cover Side Decal LH Flame Red	1
			DU161242	Cover Side Decal RH Flame Red	1

Kit List



Sr No	Kit Part No.	Kit Description	Consisting of Following Parts		
			Part No.	Description	Qty/Kit
11.	36DU4044	DCL S Cover-EI Blue	DU161243	Cover Side Decal LH Electric Blue	1
			DU161244	Cover Side Decal RH Electric Blue	1
12.	36DU4045	DCL S Cover-BI Blue	DU161245	Cover Side Decal LH Black Blue	1
			DU161246	Cover Side Decal RH Black Blue	1
13.	36DU4046	DCL Seat Cowl-BI Red	DU161247	Cover Seat Decal LH Black Red	1
			DU161248	Cover Seat Decal RH Black Red	1
14.	36DU4047	DCL Seat Cowl-FI Red	DU161249	Cover Seat Decal LH Flame Red	1
			DU161250	Cover Seat Decal RH Flame Red	1
15.	36DU4048	DCL Seat Cowl EI Blue	DU161251	Cover Seat Decal LH EI Blue	1
			DU161252	Cover Seat Decal RH EI Blue	1
16.	36DU4049	DCL Seat Cowl-BI Blue	DU161253	Cover Seat Decal LH Black Blue	1
			DU161254	Cover Seat Decal RH Black Blue	1
18.	36DU4051	Valve Repair	DD101440	Spring - Stiffer	2
			31101018	Retainer Valve Spring	2
			31101019	Collet	4
			31101045	Seat - Spring	2
19.	36DF1701	Kit Bush Shocker	39255601	Screw Pan Cross - M6	2
			30171030	Bush - Rubber	4
			30171031	Bush - Inner	4
20.	52DF0021	SF for Chain Adjuster RH	15151062	Adjuster - Chain :- Left Hand	1
			39029215	Nut - Hexagon :- M6 X 1	2
			39071111	Washer - Plain	1
21.	52DF0020	SF for Chain Adjuster Sub-Assly(Lh)	15151061	Adjuster - Chain : Right Hand	1
			39029215	Nut - Hexagon :- M6 X 1	2
			39071111	Washer - Plain	1
22.	DU101208	Cylinder Head Assly	DU101192	Head Cylinder	1
			39102121	Ring - O	2

Kit List



Sr No	Kit Part No.	Kit Description	Consisting of Following Parts		
			Part No.	Description	Qty/Kit
23.	36DU4055	Primary Drive+Driven	DX101047	Gear Primary Helical	1
			DX101054	Housing Comp Clutch	1
24.	36DZ0008	Kit Gear Meter Screw Aw (Platina)	31151064	Gear - Speedometer	1
			30151041	Gear Meter Screw	1
25.	DU181032	Lock Asy-Ve St.Cum Ign. Swtch-Pt	DU201056	Switch - Ignition	1
			DF201246	Key Set	1
			DU141026	Rotor (Falling Shutter Type)	1
			31161171	Lock For Side Cover	1
26.	36314005	Kit Steering Cone	DH181026	Bearing Race	2
			DH181025	Bearing Cone	1
			DH181023	Bearing Cone (Fork)	1
			36001052	Grease Lithon Rr3	1
			36314002	Kit Ball Steel	1
27.	30181053	Cylinder Complete Fork	30181018	Cylinder - Fork	1
			30181019	Cap Oil Lock	1
			30181020	Piston Ring	1
			30181021	Spring - Front Fork	1
28.	36311028	Kit Valve Caliber	DD101134	Valve - Intake	1
			DD101135	Valve - Exhaust	1
29.	36311006	Kit Chain Guide 4S	31101025	Guide - Chain	1
			31101026	Guide - Chain	1
30.	DZ101047	Cover Clutch/Graphic	DU101209	Cover RH	1
			31101064	Plug	1
			DS101201	Bushing (PTFE) (SKF)	1
			DZ101046	Decal Label - Clutch Cover	1
31.	36DU1007	Boss Kick Set - CT 100	30101233	Boss	1
			30101234	Spring	1
			30101236	Ball - Steel	1
			30101235	Pin	1
			39085517	Circlip : E-Type	1

Kit List



Sr No	Kit Part No.	Kit Description	Consisting of Following Parts		
			Part No.	Description	Qty/Kit
32.	36DZ0020	Kit Fork Oil Seal	DL181080	Seal-Oil:Fork+2Gartr Sprng,	1
			DD181011	Seal - Dust	1
33.	DU101218	Assly Cyl Block & Piston	DX101009	Cyl. Block Comp (C.I)	1
			DU101207	Piston Assy	1
34.	36DD4008	Kit Plate Clutch	DD101480	Plate - Friction for 115cc Engine	5
35.	36DU4017	Kit Ct100 Chain Sprocket (17-Modified)	DU151027	Sprocket Hub (42T)	1
			DF151023	Chain (112 Links)	1
			DX101052	Sprocket Output	1
36.	36DU1004	Gear Lever Spring Kit	31101055	Spring	1
			31101054	Spring	1
			DU101084	Spring - Stopper Gear Shift	1
37.	36DU1201	Air Filter Kit - CT 100	DM121007	Ring - O : Air Filter	1
			DM121004	Cap	1
			01110609	Washer - Plain	4
			39071111	Washer - Plain	1

Kit List



Sr No	Kit Part No.	Kit Description	Consisting of Following Parts		
			Part No.	Description	Qty/Kit

Kit List



Sr No	Kit Part No.	Kit Description	Consisting of Following Parts		
			Part No.	Description	Qty/Kit

Parts Index



Part Number	Figure No.	Page No.	Part Number	Figure No.	Page No.
01 1006 10	3	10	30 16 1271	2	80
01 1701 10	7	18	30 1611 57	5	52
01 1701 11	2	20	30 1611 58	4	52
01 1701 11	6	18	30 1611 69	10	74
06 2010 83	2	84	30 1710 18	9	46
14 1510 21	4	58	30 18 1006	7	44
14 1510 21	19	60	30 1810 23	8	70
16 1510 66	1	56	30 1810 25	4	70
22 1502 41	7	24	30 1810 26	5	70
22 1504 51	10	48	30 1810 53	9	70
28 1011 07	16	10	30 19 1069	3	78
28 1012 14	9	30	30 19 1070	2	78
30 1010 96	7	30	30 19 1071	4	78
30 1011 42	6	26	30 19 1072	5	78
30 1011 54	5	24	30 1910 31	7	66
30 1262 21	12	70	30 1910 35	8	66
30 1410 31	15	48	30 1910 36	13	66
30 1410 39	6	72	30 1910 37	12	66
30 1410 52	2	72	30 1910 38	4	66
30 15 1038	12	60	30 1910 48	19	68
30 15 1038	17	64	30 1910 67	8	78
30 15 1069	13	64	30 2010 06	4	86
30 1510 05	17	62	30 2010 64	12	88
30 1510 05	23	64	30 2010 74	4	88
30 1510 37	11	58	30 2010 85	8	88
30 1510 38	13	58	31 10 1014	2	36
30 1510 38	16	62	31 10 1108	10	16
30 1510 42	20	58	31 1010 06	3	2
30 1510 42	24	60	31 1010 07	10	2
30 1510 69	14	62	31 1010 19	2	4
30 1510 69	16	60	31 1010 33	8	6
30 1510 95	14	66	31 1010 38	11	24
30 1511 18	22	58	31 1010 39	10	24
30 1511 18	22	60	31 1010 40	16	24

Parts Index



Part Number	Figure No.	Page No.	Part Number	Figure No.	Page No.
31 1010 41	8	24	31 1510 23	15	62
31 1010 51	2	14	31 1510 26	24	62
31 1010 56	9	20	31 1510 26	24	64
31 1010 61	4	28	31 1510 27	25	64
31 1010 62	2	28	31 1510 28	25	62
31 1010 67	4	26	31 1510 28	26	64
31 1011 04	4	4	31 1510 29	10A	62
31 1011 09	11	16	31 1510 30	9	64
31 1011 13	5	28	31 1510 37	18	62
31 1011 37	2	30	31 1510 60	14	64
31 1011 48	13	30	31 1510 60	17	60
31 1011 75	16	2	31 1610 18	5	74
31 1011 91	1	14	31 1710 06	7	46
31 1011 92	5	14	31 1710 12	16	46
31 1012 16	13	12	31 1910 02	3	44
31 1012 95	1	28	31 2010 01	3	86
31 1210 29	4	34	31 2010 09	11	88
31 1211 00	8	18	31 2010 27	6	88
31 15 1011	14	60	31 2010 79	3	88
31 15 1021	10	64	31 2010 81	10	20
31 15 1024	16	64	33 1410 08	9	72
31 15 1029	3	64	35 1610 60	7	82
31 15 1037	18	64	36 3110 06	9	6
31 1510 04	2	58	36 3110 28	7	4
31 1510 04	3	60	36 3140 05	6	44
31 1510 07	10	58	36 DD40 08	6	30
31 1510 07	13	62	36 DF17 01	5	46
31 1510 11	12	58	36 DU10 01	2	2
31 1510 14	19	58	36 DU10 04	3	16
31 1510 14	21	60	36 DU10 07	6	24
31 1510 18	5	62	36 DU12 02	7	32
31 1510 18	12	64	36 DU12 03	8	32
31 1510 21	6	62	36 DU12 04	5	32
31 1510 22	15	64	36 DU12 05	6	32

Parts Index



Part Number	Figure No.	Page No.	Part Number	Figure No.	Page No.
36 DU12 06	4	32	39 0292 15	14	46
36 DU40 17	1	64	39 0422 15	2	52
36 DU40 17	2	62	39 0422 15	18	68
36 DU40 33	7	94	39 0454 11	17	46
36 DU40 34	7	94	39 0553 02	18	46
36 DU40 36	7	94	39 0702 01	5	4
36 DU40 37	7	94	39 0702 01	8	20
36 DU40 38	8	96	39 0708 15	10	66
36 DU40 39	8	96	39 0711 11	13	46
36 DU40 40	8	96	39 0711 11	6	50
36 DU40 41	8	96	39 0714 11	3	46
36 DU40 42	9	96	39 0714 11	21	64
36 DU40 43	9	96	39 0714 11	22	62
36 DU40 44	9	96	39 0737 12	2	46
36 DU40 45	9	96	39 0738 17	14	24
36 DU40 46	10	96	39 0740 11	8	72
36 DU40 47	10	96	39 0745 01	12	82
36 DU40 48	10	96	39 0745 01	13	38
36 DU40 49	10	96	39 0746 01	5	16
36 DU40 50	1	80	39 0748 01	6	6
36 DU40 51	6	4	39 0753 01	2	22
DU 1012 16	1	20	39 0761 01	3	72
36 DU40 53	2	18	39 0775 04	9	60
36 DU40 54	2	8	39 0775 04	15	58
36 DU40 55	5	10	39 0775 04	19	64
36 DU40 55	15	30	39 0784 08	14	48
36 DZ00 08	4	60	39 0787 08	7	52
36 DZ00 08	18	58	39 0789 12	11	66
39 0147 08	2	34	39 0789 12	16	70
39 0198 11	2	66	39 0794 15	4	64
39 0201 11	8	46	39 0794 15	12	62
39 0211 11	6	86	39 0797 08	6	66
39 0248 11	6	46	39 0798 15	8	76
39 0248 11	7	58	39 0798 15	15	60

Parts Index



Part Number	Figure No.	Page No.	Part Number	Figure No.	Page No.
39 0798 15	16	58	39 1008 20	7	20
39 0798 15	20	62	39 1013 21	5	22
39 0798 15	27	64	39 1013 21	23	58
39 0805 11	2A	66	39 1013 21	18	60
39 0807 08	9	66	39 1017 21	14	2
39 0808 08	5	66	39 1019 21	3	28
39 0813 02	17	82	39 1023 04	13	26
39 0817 15	2	86	39 1028 21	6	38
39 0817 15	7	50	39 1040 11	16	48
39 0817 15	11	82	39 1041 19	5	26
39 0830 01	15	34	39 1042 19	4	38
39 0830 01	20	68	39 1043 19	5	20
39 0840 01	25	58	39 1053 15	11	30
39 0840 01	26	60	39 1055 15	2	10
39 0900 12	24	58	39 1062 04	15	32
39 0900 12	25	60	39 1066 04	4	20
39 0978 04	2	64	39 1074 04	3	68
39 0978 04	10	62	39 1074 04	7	28
39 0980 04	10	30	39 1074 04	19	62
39 0985 17	5	8	39 1075 04	10	26
39 0987 17	4	12	39 1075 04	12	20
39 0988 15	8	64	39 1078 01	3	22
39 0988 15	21	62	39 1080 19	6	20
39 0992 06	6	14	39 1184 15	23	68
39 0993 11	9	24	39 1211 11	3	40
39 0995 11	13	24	39 1211 11	7	80
39 0999 06	3	26	39 1225 15	3	84
39 0999 06	4	18	39 1225 15	10	46
39 0999 06	4	22	39 1283 21	3	32
39 0999 06	7	6	39 1290 04	4	40
39 0999 06	8	28	39 1364 20	7B	64
39 1000 06	3	8	39 1553 04	2	74
39 1000 06	12	2	39 1553 04	9	38
39 1003 20	5	38	39 1561 21	27	60

Parts Index



Part Number	Figure No.	Page No.	Part Number	Figure No.	Page No.
39 1608 04	6	92	39 2455 04	3	42
39 1659 11	7	38	39 2473 04	2	44
39 1673 04	4	2	39 2473 04	6	80
39 1673 04	10A	2	39 2473 04	10	86
39 1680 04	8	34	39 2473 04	10	88
39 1699 01	8	10	39 2473 04	13	82
39 1783 01	9	86	39 2474 04	8	16
39 1789 24	6	74	39 2475 04	5	80
39 1789 24	10	34	39 2481 04	6	48
39 1790 21	11	6	39 2483 04	9	50
39 1790 21	12	6	39 2492 11	8	36
39 1813 04	17	70	39 2585 01	16	82
39 1814 04	5	92	39 2587 01	5	82
39 1864 20	3	18	39 2600 11	3	30
39 1864 20	17	10	39 2680 20	1	60
39 1910 17	22	68	39 2680 20	3	58
39 1940 04	1	88	39 2681 20	1	58
39 1940 04	3	48	39 2681 20	5	60
39 1940 04	8	92	39 2682 20	7A	64
39 1943 04	21	70	39 2702 04	10	42
39 1961 04	10	82	39 2704 11	12	16
39 1981 04	15	12	39 2723 15	11	42
39 1994 04	2	16	39 2754 04	9	36
39 2134 21	8	26	39 2765 01	14	86
39 2141 24	6	82	52 DF00 20	15	46
39 2147 04	10	28	52 DF00 21	12	46
39 2179 24	4	72	52 DU01 04	6	16
39 2199 08	14	10	52 DU03 02	11	48
39 2200 11	12	10	52 DU03 03	12	48
39 2222 04	1	50	52 DU05 75	3	94
39 2240 20	5	64	52 DU05 76	3	94
39 2240 20	8	62	52 DU05 77	3	94
39 2403 20	12	30	52 DU05 78	3	94
39 2407 01	9	34	52 DU06 22	4	94

Parts Index



Part Number	Figure No.	Page No.	Part Number	Figure No.	Page No.
52 DU06 23	4	94	DD 1013 18	3	38
52 DU06 24	4	94	DD 1013 25	7	26
52 DU06 25	4	94	DD 1013 43	13	2
52 DU06 26	5	94	DD 1013 47	7	2
52 DU06 27	5	94	DD 1013 49	9	2
52 DU06 28	5	94	DD 1013 50	8	2
52 DU06 29	5	94	DD 1013 66	7	36
52 DU06 30	6	94	DD 1014 75	16	12
52 DU06 31	6	94	DD 1014 81	15	2
52 DU06 32	6	94	DD 1014 87	10	6
52 DU06 33	6	94	DD 1014 92	5	30
52 DU06 34	1	94	DD 1014 93	8	30
52 DU06 35	1	94	DD 1015 17	12	26
52 DU06 36	1	94	DD 1015 21	5	2
52 DU06 37	1	94	DD 1110 11	14	38
59 0400 06	14	70	DD 1110 12	16	38
59 0400 17	8	42	DD 1110 18	11	38
59 0400 18	7	42	DD 1110 36	11	38
59 0400 25	4	24	DD 1110 48	15	38
59 1100 04	6	2	DD 1211 68	20	32
59 1500 03	22	64	DD 1211 71	11	32
59 1500 03	23	62	DD 1412 27	7	72
59 1500 05	4	42	DD 1510 08	10	60
59 1500 05	9	42	DD 1510 08	14	58
BA 1020 06	3	20	DD 1510 09	7	60
CL 2010 23	2	82	DD 1510 09	17	58
DD 1010 07	4	8	DD 1610 13	10	50
DD 1010 58	6	28	DD 1610 22	9	74
DD 1010 60	9	26	DD 1610 51	8	50
DD 1010 62	13	6	DD 1610 53	1	42
DD 1011 06	7	16	DD 1610 78	1A	66
DD 1012 54	3	24	DD 1613 81	13	48
DD 1012 64	2	24	DD 1810 10	2	70
DD 1013 09	1	12	DD 1810 11	6	70

Parts Index



Part Number	Figure No.	Page No.	Part Number	Figure No.	Page No.
DD 1810 14	3	70	DF 1910 27	10	68
DD 1811 83	8	82	DF 1910 66	8	68
DD 1811 84	9	82	DF 2010 53	4	68
DD 1811 86	15	82	DF 2011 29	7	88
DD 1811 87	8	86	DF1614 16	4	80
DD 1811 92	8	84	DG 1014 98	9	18
DD 1812 05	20	70	DG 1410 19	4	74
DD 1812 05	26	68	DG 1510 22	9	56
DD 1812 06	15	70	DH 1010 66	13	10
DD 1812 52	20	82	DH 1010 67	15	10
DD 1911 47	21	68	DH 1011 95	9	10
DD 2010 02	15	86	DH 1012 64	11	20
DD 2010 11	5	86	DH 1014 30	6	8
DD 2011 70	9	68	DH 1016 07	5	36
DE 1810 31	11	70	DH 1210 38	16	34
DF 1210 03	1	22	DH 1211 01	13	32
DF 1210 23	1	34	DH 1211 02	14	32
DF 1411 28	1	74	DH 1211 03	6	34
DF 1510 03	2	60	DH 1611 78	9	48
DF 1510 16	15	66	DH 1611 94	8	48
DF 1611 02	3	52	DJ 1610 68	2	50
DF 1611 68	2	42	DJ 2210 03	3	92
DF 1614 13	2	48	DJ 2210 04	4	92
DF 1614 15	3	80	DL 1610 48	1	52
DF 1614 25	1	48	DL 1810 10	4	82
DF 1810 52	5	44	DL 1810 80	7	70
DF 1810 85	13	70	DL 1910 20	2	76
DF 1810 89	19	70	DM 1010 98	4	14
DF 1810 90	4	44	DM 1010 99	8	14
DF 1810 91	14	68	DM 1210 04	14	34
DF 1810 92	15	68	DM 1210 07	5	34
DF 1810 98	19	82	DM 1210 14	13	34
DF 1811 17	1	68	DM 1510 25	3	54
DF 1910 26	7	68	DM 1510 25	5	56

Parts Index



Part Number	Figure No.	Page No.	Part Number	Figure No.	Page No.
DM 1510 28	6	54	DU 1010 66	4	6
DM 1510 28	7	56	DU 1010 67	2	6
DM 1510 29	4	56	DU 1010 73	1	16
DM 1610 09	5	50	DU 1010 74	4	16
DM 1810 36	10	70	DU 1010 78	1	6
DM 1910 02	11	78	DU 1010 80	7	12
DM 1910 05	10	78	DU 1010 81	3	14
DM 1910 09	1	76	DU 1010 83	9	14
DM 1910 14	11	68	DU 1010 85	5	18
DM 1910 15	12	68	DU 1010 96	5	6
DM 1910 17	6	78	DU 1011 09	4	30
DM 2210 01	2	90	DU 1011 13	13	16
DM 2210 01	7	34	DU 1011 85	9	16
DP 1011 68	14	12	DU 1011 90	3	4
DP 1013 40	7	14	DU 1011 91	1	4
DP 1210 25	14	20	DU 1012 06	3	36
DP 1611 44	7	86	DU 1012 08	1	2
DP 1611 45	11	86	DU 1012 11	4	10
DP 2110 09	2	40	DU 1012 13	11	12
DS 1510 49	2	54	DU 1012 18	1	8
DS 1510 49	6	56	DU 1012 23	10	18
DS 1510 53	5	54	DU 1012 28	9	32
DS 1510 53	12	56	DU 1012 28	11	2
DS 2010 25	9	88	DU 1012 52	1	18
DU 1010 05	1	10	DU 1210 05	11	26
DU 1010 10	11	10	DU 1210 08	3	34
DU 1010 11	6	12	DU 1210 09	1	32
DU 1010 38	12	24	DU 1210 13	19	32
DU 1010 41	7	10	DU 1210 15	21	32
DU 1010 45	15	24	DU 1210 17	12	32
DU 1010 50	1	24	DU 1210 18	18	32
DU 1010 56	3	6	DU 1210 21	17	32
DU 1010 57	2	32	DU 1210 22	16	32
DU 1010 58	17	2	DU 1210 28	10	32

Parts Index



Part Number	Figure No.	Page No.	Part Number	Figure No.	Page No.
DU 1210 30	12	34	DU 1810 32	8	74
DU 1210 32	11	34	DU 1810 32	11	72
DU 1410 14	5	40	DU 1810 32	22	70
DU 1410 27	3	74	DU 1810 47	14	82
DU 1410 41	10	72	DU 1810 67	1	70
DU 1410 61	1	72	DU 1810 70	3	82
DU 1410 95	5	72	DU 1910 22	6	76
DU 1510 05	6	58	DU 1910 23	4	76
DU 1510 05	6	60	DU 1910 24	7	76
DU 1510 06	26	62	DU 1910 25	5	76
DU 1510 09	11	64	DU 1910 29	3	76
DU 1510 10	7	62	DU 1910 30	3	66
DU 1510 18	8	56	DU 1910 31	24	68
DU 1510 25	2	56	DU 1910 33	25	68
DU 1510 25	10	56	DU 1910 34	5	68
DU 1510 26	3	56	DU 1910 35	6	68
DU 1510 26	11	56	DU 1910 41	1	78
DU 1510 29	11	62	DU 2010 08	1	84
DU 1510 29	20	64	DU 2010 10	4	84
DU 1510 31	8	60	DU 2010 12	6	84
DU 1510 34	4	54	DU 2010 14	7	84
DU 1610 08	4	50	DU 2010 23	1	86
DU 1610 24	9	44	DU 2010 24		86
DU 1610 32	6	52	DU 2010 62	10	38
DU 1610 93	5	42	DU 2010 63	13	88
DU 1610 94	6	42	DU 2010 92	17	34
DU 1610 98	3	50	DU 2011 04	5	88
DU 1611 19	11	74	DU 2011 08	1	82
DU 1611 25	1	44	DU 2110 01	1	40
DU 1611 44	4	48	DU 2210 01	7	92
DU 1611 96	8	44	DU 2210 02	1	92
DU 1612 35	5	48	DU 2210 04	7A	92
DU 1710 17	11	46	DU 2210 05	9	92
DU 1810 31	18	82	52 DU02 89	2	94

Parts Index



Part Number	Figure No.	Page No.	Part Number	Figure No.	Page No.
52 DU05 50	2	94	DZ 1710 16	4	46
52 DU02 90	2	94	DZ 1910 04	1	66
DX 1010 35	14	30	DZ 1910 14	7	78
DX 1010 45	2	12	DZ 1910 19	9	78
DX 1010 46	10	12	DZ 2010 38	2	88
DX 1010 48	3	12	DZ 2210 03	2	92
DX 1010 49	5	12	FA 1013 34	6	10
DX 1010 50	9	12	FD 1810 12	18	70
DX 1010 51	8	12	FD 1810 19	16	68
DX 1010 52	12	12	FD 1810 20	17	68
DX 1010 53	10	10	FD 1810 30	2	68
DX 1010 55	1	30	FD 1810 31	13	68
DX 1110 05	1	38	JA 1316 06	21	58
DX 1110 06	2	38	JA 1316 06	23	60
DX 1510 81	1	62	JK 1220 07	1	46
DX 1510 81	6	64	JK 1310 26	1	54
DX 1610 56	7	48	KB CC05 14	20	60
DZ 1010 01	9	28	KC GA05 05	13	86
DZ 1010 31	6	36	KC GA10 10	5	84
DZ 1010 34	13	20	KP BB62 01	4	62
DZ 1010 44	4	36	KP BB63 01	3	62
DZ 1010 46	2	26	LA D000 26	14	6
DZ 1010 47	1	26	PA 2310 02	1	90
DZ 1110 02	8	38		1	36
DZ 1110 12	12	38			
DZ 1410 75	12	72			
DZ 1510 12	5	58			
DZ 1510 12	11	60			
DZ 1510 27	9	58			
DZ 1510 27	13	60			
DZ 1510 40	8	58			
DZ 1510 45	9	62			
DZ 1611 43	7	74			
DZ 1612 65	12	86			